



FERRARI Motor mowers, FERRARI 2-wheel tractors

530 GRIFON

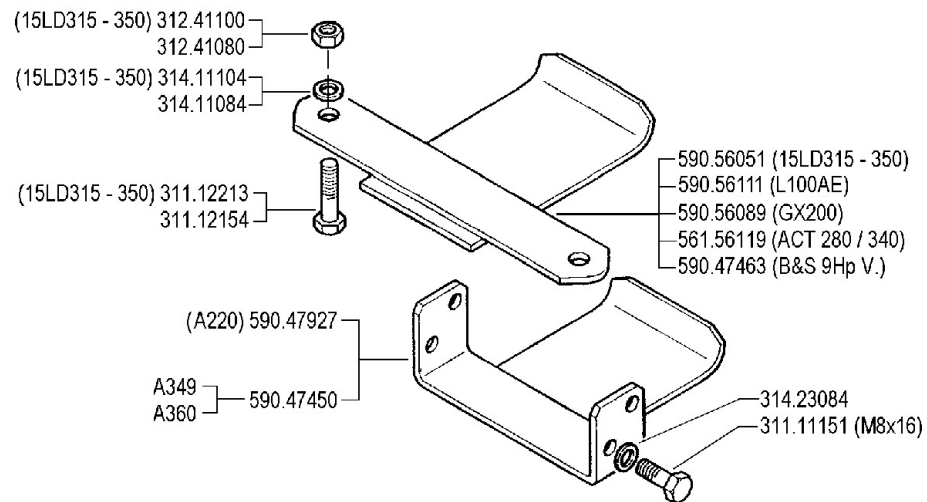
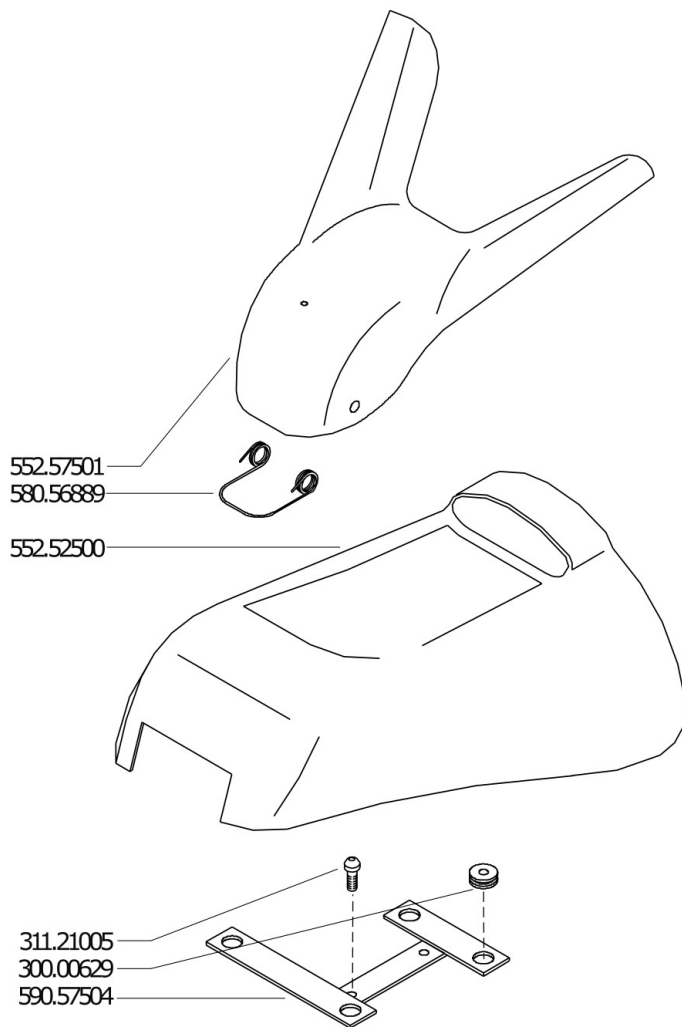
01/09/2021

A50004 - 530 GRIFON.....	4
C02_0_22484 - BODY.....	7
C02_1_59797 - BODY.....	9
C02_2_72836 - BODY.....	11
C.02.02.A0011_03 - BODY.....	13
D01_0_22506 - CLUTCH.....	15
D01_1_27654 - CLUTCH.....	17
D01_2_33546 - CLUTCH.....	19
D01_3_59819 - CLUTCH.....	21
D01_4_72864 - CLUTCH.....	23
D.01.02.A0019_05 - CLUTCH.....	25
D.01.02.A0019_06 - CLUTCH.....	27
D.01.02.A0051_07 - CLUTCH.....	29
E02_0_22563 - GEARBOX.....	31
E02_1_34064 - GEARBOX.....	33
E.02.02.A0011_02 - GEARBOX.....	35
F03_0_22685 - GEARS.....	37
F03_1_34091 - GEARS.....	40
F03_2_90637 - GEARS.....	43
F.03.02.A0011_03 - GEARS.....	46
F.03.02.A0011_04 - GEARS.....	49
G02_0_22739 - DIFFERENTIAL.....	52
F.03.02.A0011_05 - GEARS.....	54
G02_1_90678 - DIFFERENTIAL.....	57
H02_0_22880 - STEERING COLUMN.....	59
H02_1_59979 - STEERING COLUMN.....	62
H.02.02.A0011_02 - STEERING COLUMN.....	65
I03_0_23007 - HANDLEBAR (530 GR).....	68
I03_1_23603 - HANDLEBAR (530 GR).....	71



I03_2_33068 - HANDLEBAR (530 GR).....	74
I03_3_73019 - HANDLEBAR (530 GR).....	77
I.03.02.A0011_04 - HANDLEBAR.....	80
J02_0_23146 - CONTROLS.....	83
J02_1_34222 - CONTROLS.....	85
J.02.02.A0011_02 - CONTROLS.....	88
J.04.02.A0011_00 - HANDLEBAR CONTROLS.....	91
K01_0_23173 - BRAKES.....	93
K.01.02.A0011_01 - BRAKES.....	95
L01_0_23182 - WHEELS.....	97
L01_1_27708 - WHEELS.....	100
L01_2_60486 - WHEELS.....	103
L01_3_90714 - WHEELS.....	106
M01_0_23235 - STICKERS.....	109
M01_1_34253 - STICKERS.....	111
M01_2_67927 - STICKERS.....	113
M01_3_91676 - STICKERS.....	115
M02_0_23244 - STICKERS.....	117
M02_1_34264 - STICKERS.....	119
M02_2_67938 - STICKERS.....	121
M02_3_91699 - STICKERS.....	123





FERRARI

500 serie **GRIFON**

**CARROZZERIA
(520GR - 530GR - 530S GR - S MUSTER)**

BODY
CARROCERÍA

CAROSSERIE
KAROSSERIE

DALLA MACCHINA
DE LA MAQUINA
DE LA MACHINE
FROM THE MACHINE
AB DER MASCHINE

N.

C02 **0**

09/2004

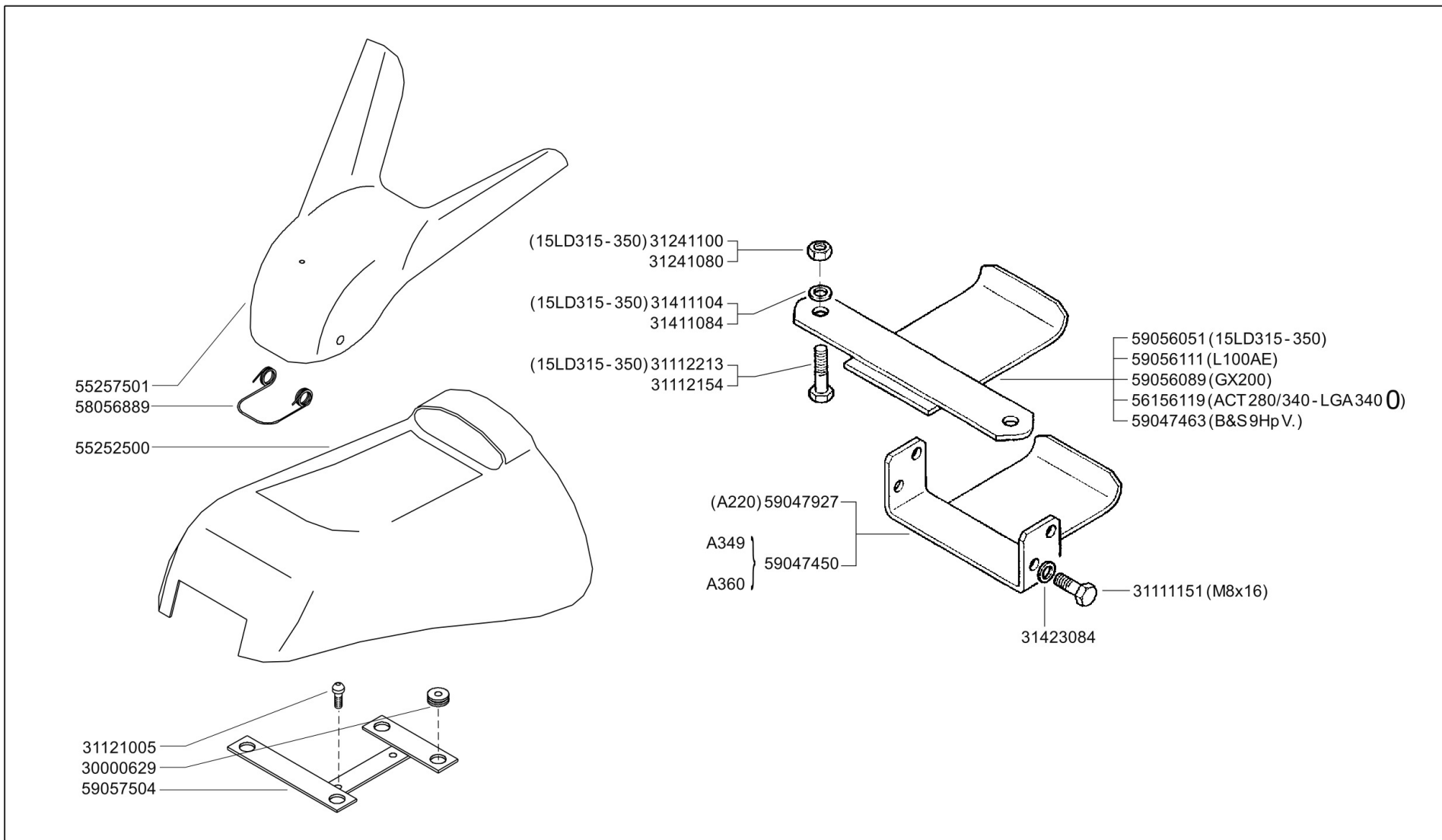
Rev.

ZENNE



Pos.	Id	Q.ty	Description	Note
30000629	30000629	1	CABLE GLAND 80/110/30	
31111151	31111151	1	SCREW TE M8X16 UNI 5739 8G	
31112154	31112154	1	SCREW TE M8X40 UNI 5739 8G	
31112213	31112213	1	SCREW TE M10X40 UNI 5739	
31121005	31121005	1	SCREW TBCEI FLANG. M6X25	
31241080	31241080	1	HEXAGON SELFLOCK NUT M8	
31241100	31241100	1	SELFLOCK HEXAGON NUT M10	
31411084	31411084	1	WASHER 8,4x17	
31411104	31411104	1	WASHER 10,5x18	
31423084	31423084	1	SPRING WASHER 8,4	
55252500	55252500	1	BODYWORK	
55257501	55257501	1	SMALL COVER	
56156119	56156119	1	SHIELD	
58056889	58056889	1	RETAINING SPRING	
59047450	59047450	1	SHIELD	
59047463	59047463	1	ENGINE PROTECTION	
59047927	59047927	1	SHIELD	
59056051	59056051	1	SHIELD	
59056089	59056089	1	SHIELD	
59056111	59056111	1	SHIELD	
59057504	59057504	1	HOLDER	



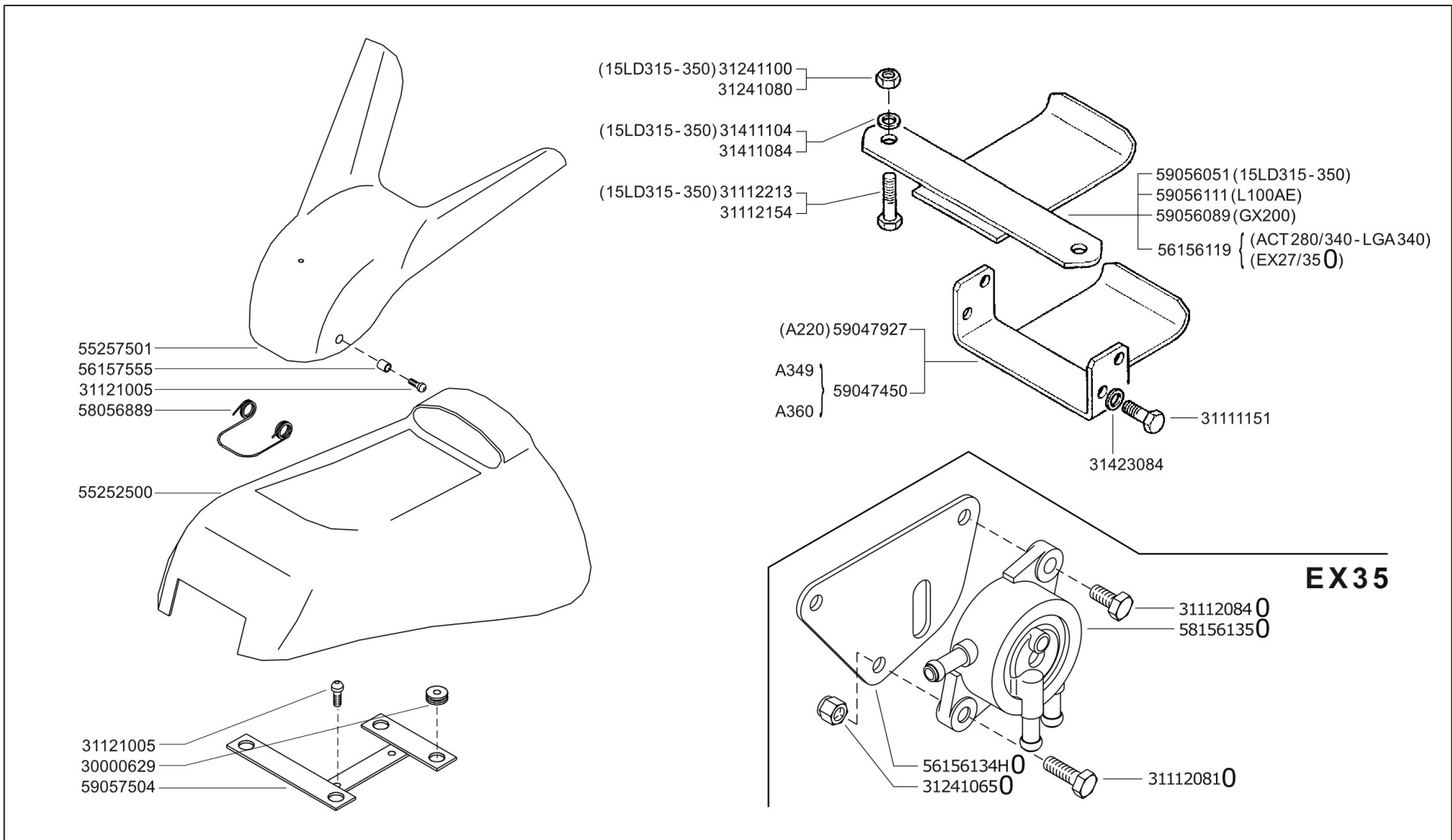


FERRARI	500 serie GRIFON	CARROZZERIA (520 GR - 530 GR - 530S GR - S MUSTER)		DALLA MACCHINA DE LA MAQUINA DE LA MACHINE FROM THE MACHINE AB DER MASCHINE ON.	AGGIORNAMENTO	C02	Rev.
		BODY	CARROSSERIE		REVISION		1
		CARROCEÍA	KAROSSERIE		MISE A JOUR		01/2009
					APLAZAMIENTO		
					ANPASSUNG		



Pos.	Id	Q.ty	Description	Note
30000629	30000629	1	CABLE GLAND 80/110/30	
31111151	31111151	1	SCREW TE M8X16 UNI 5739 8G	
31112154	31112154	1	SCREW TE M8X40 UNI 5739 8G	
31112213	31112213	1	SCREW TE M10X40 UNI 5739	
31121005	31121005	1	SCREW TBCEI FLANG. M6X25	
31241080	31241080	1	HEXAGON SELFLOCK NUT M8	
31241100	31241100	1	SELFLOCK HEXAGON NUT M10	
31411084	31411084	1	WASHER 8,4x17	
31411104	31411104	1	WASHER 10,5x18	
31423084	31423084	1	SPRING WASHER 8,4	
55252500	55252500	1	BODYWORK	
55257501	55257501	1	SMALL COVER	
56156119	56156119	1	SHIELD	
58056889	58056889	1	RETAINING SPRING	
59047450	59047450	1	SHIELD	
59047463	59047463	1	ENGINE PROTECTION	
59047927	59047927	1	SHIELD	
59056051	59056051	1	SHIELD	
59056089	59056089	1	SHIELD	
59056111	59056111	1	SHIELD	
59057504	59057504	1	HOLDER	





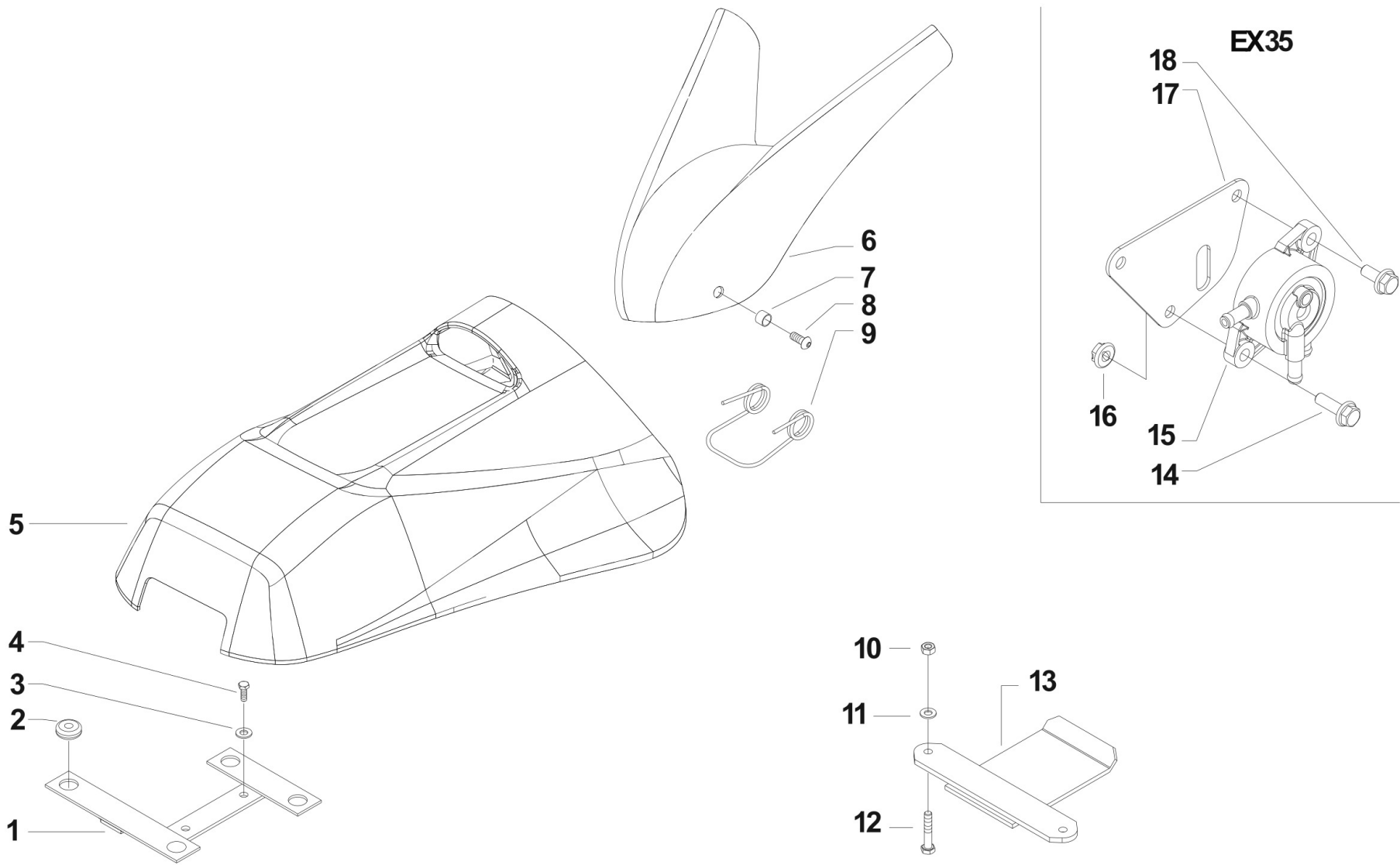
EX35

	<h1>500 serie GRIFON</h1>	<p>CARROZZERIA (520 GR - 530 GR - 530S GR - S MUSTER)</p> <p>BODY CARROCERÍA</p>	<p>CARROSSERIE KAROSSERIE</p>	<p>DALLA MACCHINA DE LA MAQUINA DE LA MACHINE FROM THE MACHINE AB DER MASCHINE</p> <p>ON.</p>	AGGIORNAMENTO	<p style="font-size: 2em;">C02</p> <p style="font-size: 1.5em;">03/2010</p>	Revision
					REVISION		2
					MISE A JOUR		
					APLAZAMIENTO		
					ANPASSUNG		



Pos.	Id	Q.ty	Description	Note
30000629	30000629	1	CABLE GLAND 80/110/30	
31111151	31111151	1	SCREW TE M8X16 UNI 5739 8G	
31112081	31112081	1	SCREW TE C/F M6X20 DIN 6921 8G	
31112084	31112084	1	SCREW TE C/F M6X14 DIN 6921 8G	
31112154	31112154	1	SCREW TE M8X40 UNI 5739 8G	
31112213	31112213	1	SCREW TE M10X40 UNI 5739	
31121005	31121005	1	SCREW TBCEI FLANG. M6X25	
31241065	31241065	1	SELFLOCK NUT M6	
31241080	31241080	1	HEXAGON SELFLOCK NUT M8	
31241100	31241100	1	SELFLOCK HEXAGON NUT M10	
31411084	31411084	1	WASHER 8,4x17	
31411104	31411104	1	WASHER 10,5x18	
31423084	31423084	1	SPRING WASHER 8,4	
55252500	55252500	1	BODYWORK	
55257501	55257501	1	SMALL COVER	
56156119	56156119	1	SHIELD	
56157555	56157555	1	TUBE	
58056889	58056889	1	RETAINING SPRING	
58156135	58156135	1	PUMP	
59047450	59047450	1	SHIELD	
59047463	59047463	1	ENGINE PROTECTION	
59047927	59047927	1	SHIELD	
59056051	59056051	1	SHIELD	
59056089	59056089	1	SHIELD	
59056111	59056111	1	SHIELD	
59057504	59057504	1	HOLDER	
56156134H	56156134H	1	CONNECTION	



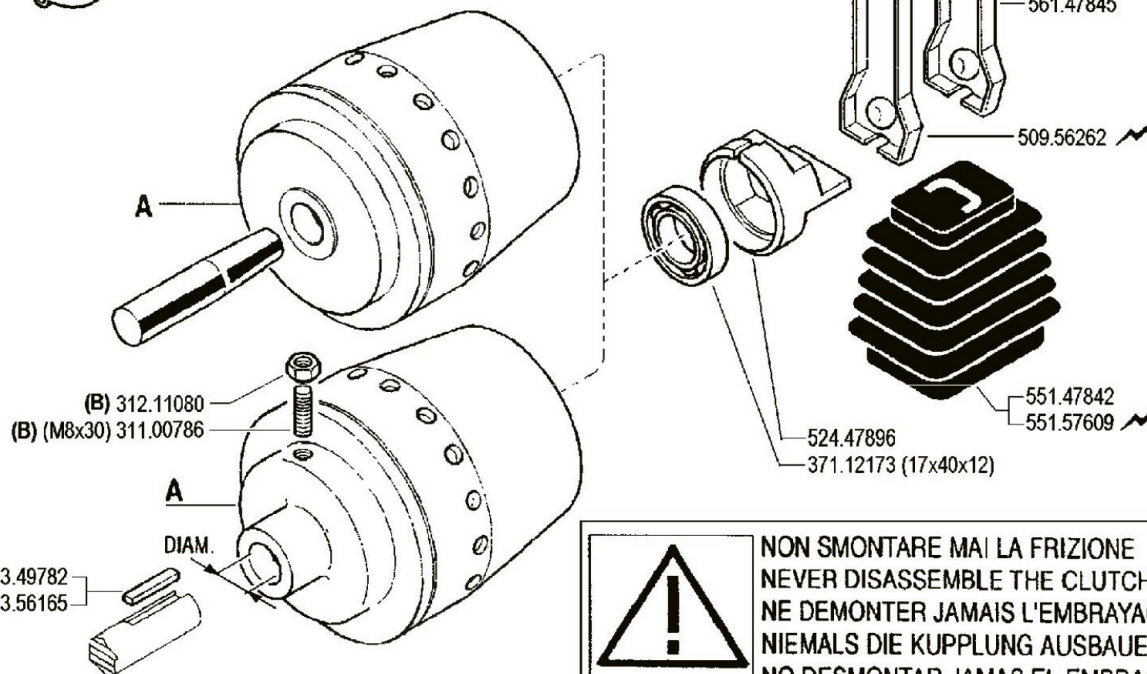


Pos.	Id	Q.ty	Description	Note
1	59057504	1	HOLDER	
2	58056991	1	CABLE GLAND 90/200/30	
3	31421083	1	WASHER	
4	31112150	1	SCREW TE M8X20 UNI 5739 8G	
5	55252500	1	BODYWORK	
5	55257501	1	SMALL COVER	
6	56157555	1	TUBE	
7	56157555	1	TUBE	
8	31121005	1	SCREW TBCEI FLANG. M6X25	
9	58056889	1	RETAINING SPRING	
10	31241084	1	SELFLOCK NUT M8 6S	
10	31241100	1	SELFLOCK HEXAGON NUT M10	For motors 15LD315 / 15LD350
11	31411104	1	WASHER 10,5x18	For motors 15LD315 / 15LD350
12	31112213	1	SCREW TE M10X40 UNI 5739	For motors 15LD315 / 15LD350
13	56156119	1	SHIELD	For motors ACT280/ACT340/GX240/GX270/LGA340/EX27/EX35
13	59056051	1	SHIELD	For motors 15LD315 / 15LD350
13	59056089	1	SHIELD	For the engine GX200
13	59056111	1	SHIELD	For the engine L100AE
14	31112081	1	SCREW TE C/F M6X20 DIN 6921 8G	
15	58156135	1	PUMP	
16	31241065	1	SELFLOCK NUT M6	
17	56156134H	1	CONNECTION	
18	31112084	1	SCREW TE C/F M6X14 DIN 6921 8G	



HONDA G150 - Gx 120/160/200 311.00003
 HONDA Gx390-Gx340 - B&S VANGUARD (3/8x1") 311.00015
 HONDA Gx390-Gx340 - B&S VANGUARD 314.23105
 HONDA G150 - Gx 120/160/200 532.47488
 B&S VANG. - HONDA Gx390-Gx340 531.56150
 371.12231 HONDA G150 - Gx 120/160/200
 371.12233 (30x55x13) B&S VANGUARD - HONDA Gx 390 - Gx340
 563.47484 B&S VANGUARD - HONDA Gx 390 - Gx340
 563.56251 HONDA G150 - Gx 120/160/200
 312.11080
 314.23084
 313.12088 (M8x40)
 313.12083 (M8x46) (15LD315/350 - ACT 280/340 - L100AE)

MOTORE ENGINE MOTEUR MOTOR	A FRIZIONE EMBRAGUE EMBRAYAGE KUPPLUNG CLUTCH
Acme A220	592.47884
Acme ACT 280 - A349 - A360	592.47884
Acme ACT 340	592.47971
Briggs & Stratton 9 Hp Vanguard	592.56253
Honda Gx 390-Gx340	592.56257
Honda G150 - Gx 120 / 160 / 200	592.56265
Lombardini 15LD315 / 350	592.47884
Lombardini 6LD435 / 400	592.47971
Yanmar L100AE	592.47971



!
 NON SMONTARE MAI LA FRIZIONE
 NEVER DISASSEMBLE THE CLUTCH
 NE DEMONTER JAMAIS L'EMBRAYAGE
 NIEMALS DIE KUPPLUNG AUSBAUEN
 NO DESMONTAR JAMAS EL EMBRAGUE

(B) serrare a 2 Kgm

FERRARI

500 serie GRIFON

FRIZIONE A CONO AUTOVENTILANTE

CLUTCH
 EMBRAGUE

EMBRAYAGE
 KUPPLUNG

DALLA MACCHINA
 DE LA MAQUINA
 DE LA MACHINE
 FROM THE MACHINE
 AB DER MASCHINE

N.

D01 0

09/2004

Rev.

ZENNE

FERRARI

FERRARI Motor mowers, FERRARI 2-wheel tractors - 530 GRIFON

D01_0_22506 - CLUTCH

01/09/2021

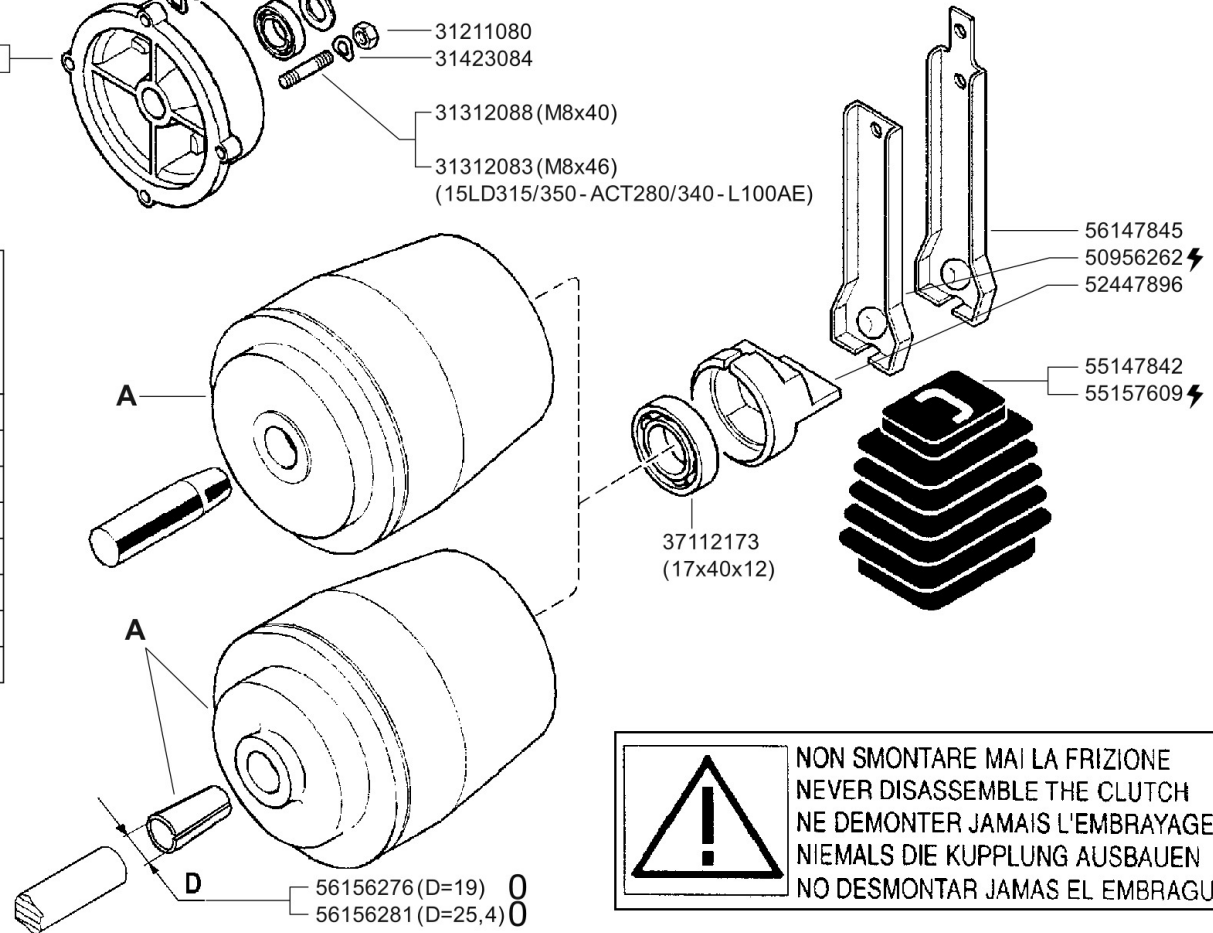
Page 15 / 124

Pos.	Id	Q.ty	Description	Note
31100003	31100003	1	SCREW TE 5/16X7/8	
31100015	31100015	1	SCREW TE 3/8X1	
31100786	31100786	1	SCREW STEI M8X30 UNI5923 8G G RZ	
31211080	31211080	1	NUT M8	
31312083	31312083	1	STUD BOLT M8X46X16X16	
31312088	31312088	1	STUD BOLT M8X40X14X14	
31423084	31423084	1	SPRING WASHER 8,4	
31423105	31423105	1	SPRING WASHER 10,5	
37112173	37112173	1	BEARING 6203 DDU7C3EX26 NSK	
37112231	37112231	1	BEARING 6204-2RS1 C3 SKF	
37112233	37112233	1	BEARING 6006-2RS1 C3 SKF	
50956262	50956262	1	CLUTCH LEVER	
52447896	52447896	1	PRESSURE PLATE	
53156150	53156150	1	ENGINE FLANGE B&S 8HP I/P	
53247488	53247488	1	ENGINE FLANGE H=21	
55147842	55147842	1	BELLOWS	
55157609	55157609	1	BELLOWS	
56147845	56147845	1	CLUTCH LEVER	
56347484	56347484	1	SHIM	
56349782	56349782	1	DOWEL	
56356165	56356165	1	DOWEL	
56356251	56356251	1	SHIM D=19,6	
59247884	59247884	1	CLUTCH ASSY	
59247971	59247971	1	CLUTCH	
59256253	59256253	1	CLUTCH ASSY	
59256257	59256257	1	CLUTCH ASSY	
59256265	59256265	1	CLUTCH ASSY	



HONDA G150 - Gx 120/160/200 31100003
 HONDA Gx390 - Gx340 (3/8x1") 31100015
 HONDA Gx390 - Gx340 31423105
 HONDA G150 - Gx120/160/200 53247488
 HONDA Gx390 - Gx340 53156150
 37112231 HONDA G150 - Gx120/160/200
 37112233 (30x55x13) HONDA Gx390 - Gx340
 56347484 HONDA Gx390 - Gx340
 56356251 HONDA G150 - Gx120/160/200
 31211080
 31423084
 31312088 (M8x40)
 31312083 (M8x46)
 (15LD315/350 - ACT280/340 - L100AE)

MOTORE ENGINE MOTEUR MOTOR MOTOR	FRIZIONE CLUTCH A EMBRAYAGE EMBRAGUE KUPPLUNG
Acme A220	59247884
Acme ACT 280 - A349 - A360	59247884
Acme ACT 340	59247971
Honda Gx 390 - Gx 340 D=25,4	59256280 ⁰ (2)
Honda G150 - Gx120/ 160/ 200 D=19	59256275 ⁰ (1)
Lombardini 15LD315/350	59247884
Lombardini 6LD435/400	59247971
Yanmar L100AE	59247971



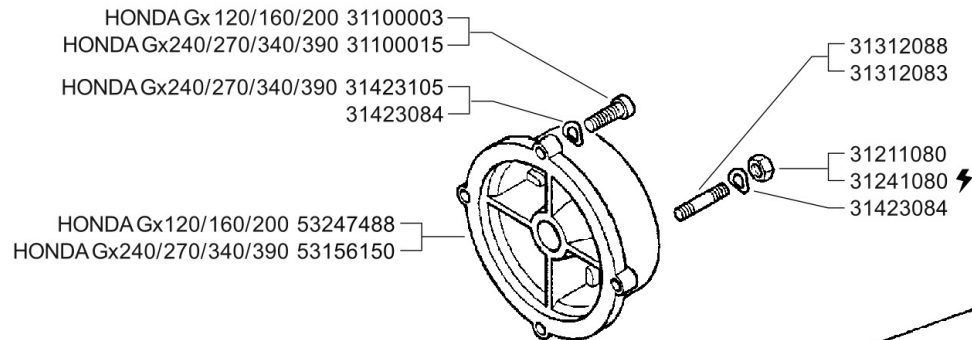
(2) sostituisce 59256257
 (1) sostituisce 59256265

! NON SMONTARE MAI LA FRIZIONE
 NEVER DISASSEMBLE THE CLUTCH
 NE DEMONTER JAMAIS L'EMBRAYAGE
 NIEMALS DIE KUPPLUNG AUSBAUEN
 NO DESMONTAR JAMAS EL EMBRAGUE

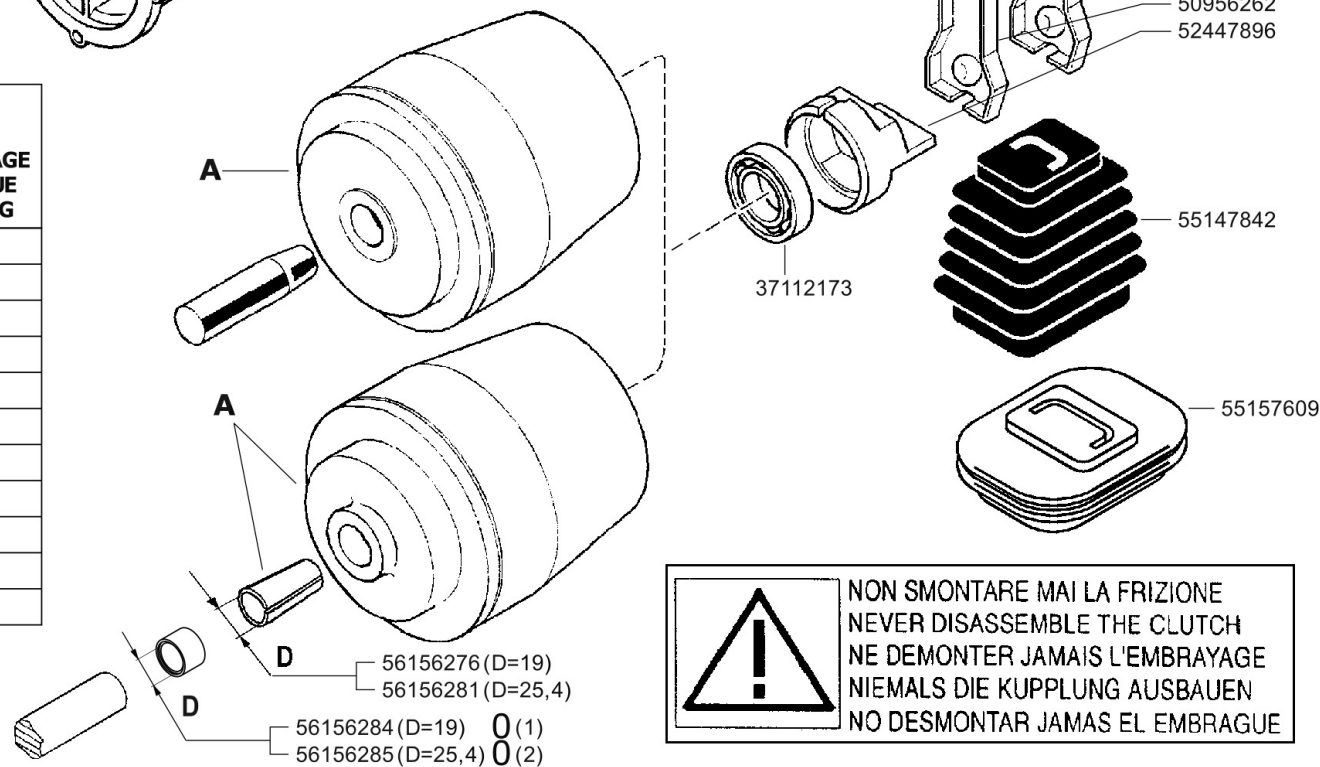
FERRARI	500 serie GRIFON	FRIZIONE A CONO AUTOVENTILANTE		DALLA MACCHINA DE LA MAQUINA DE LA MACHINE FROM THE MACHINE AB DER MASCHINE	CHIEDERE A S.A.T.	D01	1
		CLUTCH EMBRAGUE	EMBAYAGE KUPPLUNG		ASK TO S.A.T.		
				ON.	DEMANDER A S.A.T.	11/2006	
					SOLICITAR EL S.A.T.		
					ANFRAGEN DER S.A.T.		

Pos.	Id	Q.ty	Description	Note
31100003	31100003	1	SCREW TE 5/16X7/8	
31100015	31100015	1	SCREW TE 3/8X1	
31211080	31211080	1	NUT M8	
31312083	31312083	1	STUD BOLT M8X46X16X16	
31312088	31312088	1	STUD BOLT M8X40X14X14	
31423084	31423084	1	SPRING WASHER 8,4	
31423105	31423105	1	SPRING WASHER 10,5	
37112173	37112173	1	BEARING 6203 DDU7C3EX26 NSK	
37112231	37112231	1	BEARING 6204-2RS1 C3 SKF	
37112233	37112233	1	BEARING 6006-2RS1 C3 SKF	
50956262	50956262	1	CLUTCH LEVER	
52447896	52447896	1	PRESSURE PLATE	
53156150	53156150	1	ENGINE FLANGE B&S 8HP I/P	
53247488	53247488	1	ENGINE FLANGE H=21	
55147842	55147842	1	BELLOWS	
55157609	55157609	1	BELLOWS	
56147845	56147845	1	CLUTCH LEVER	
56156276	56156276	1	SLEEVE D.19	
56156281	56156281	1	CENTRING BUSH D.25,4	
56347484	56347484	1	SHIM	
56356251	56356251	1	SHIM D=19,6	
59247884	59247884	1	CLUTCH ASSY	
59247971	59247971	1	CLUTCH	
59256275	59256275	1	CLUTCH ASSY	
59256280	59256280	1	CLUTCH ASSY	





MOTORE ENGINE MOTEUR MOTOR	FRIZIONE CLUTCH A EMBRAYAGE EMBRAGUE KUPPLUNG
Acme A220	59247884
Acme A220 (REF.)	59256255
Acme ACT 280 - A349 - A360	59247884
Acme ACT 340	59247971
Honda Gx 390 - Gx 340 D=25,4	59256280
Honda Gx 240/270 D=25,4	59256279
Honda Gx 120/160/200 D=19	59256275
Lombardini 15LD315/350	59247884
Lombardini 15LD500	59247924
Yanmar L100AE	59247971
Yanmar L70AE	59247884



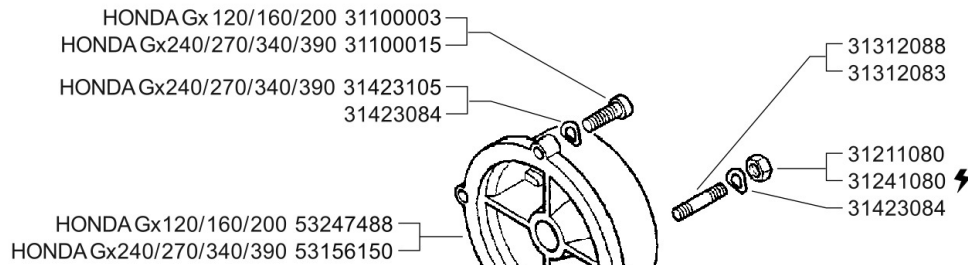
! NON SMONTARE MAI LA FRIZIONE
 NEVER DISASSEMBLE THE CLUTCH
 NE DEMONTER JAMAIS L'EMBRAYAGE
 NIEMALS DIE KUPPLUNG AUSBAUEN
 NO DESMONTAR JAMAS EL EMBRAGUE

FERRARI	500 serie GRIFON	FRIZIONE A CONO AUTOVENTILANTE		DALLA MACCHINA DE LA MAQUINA DE LA MACHINE FROM THE MACHINE AB DER MASCHINE	ON.	Rev. 2
		CLUTCH EMBRAGUE	EMBRAYAGE KUPPLUNG			

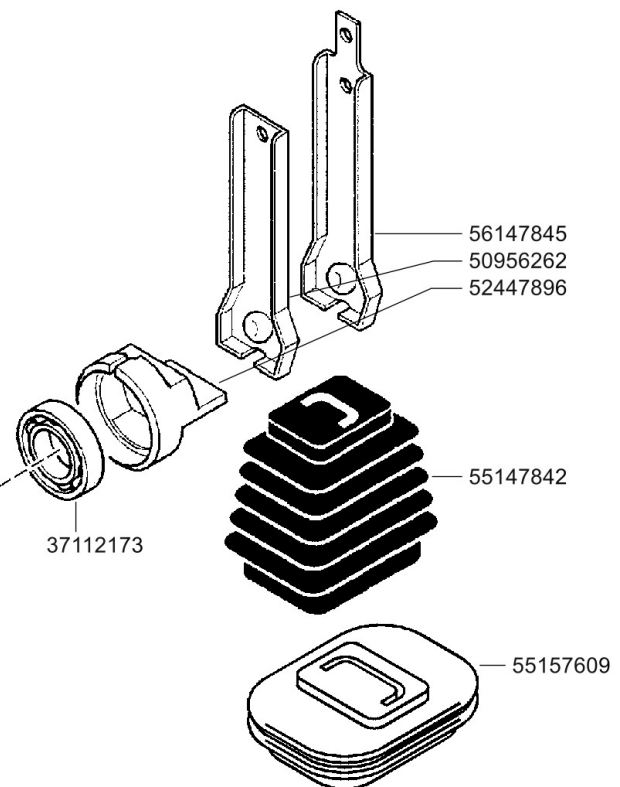
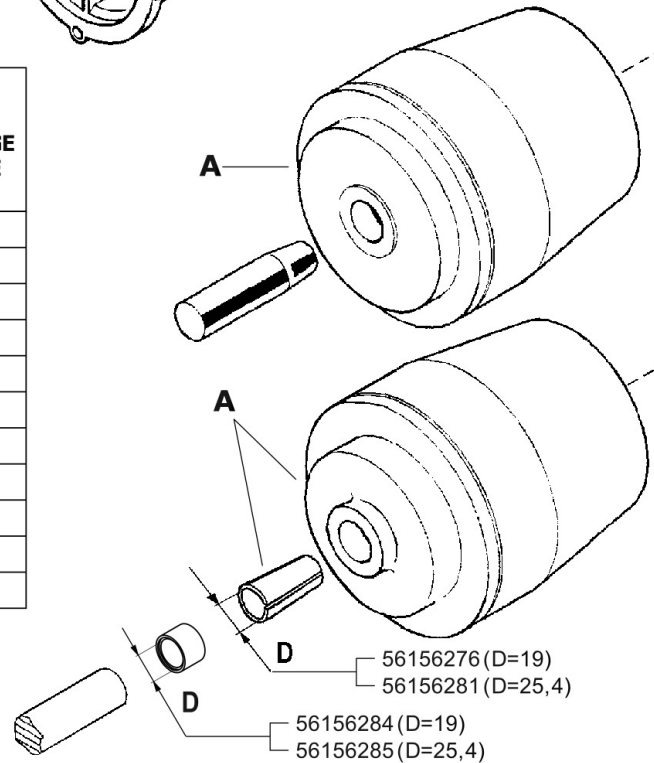


Pos.	Id	Q.ty	Description	Note
31100003	31100003	1	SCREW TE 5/16X7/8	
31100015	31100015	1	SCREW TE 3/8X1	
31211080	31211080	1	NUT M8	
31241080	31241080	1	HEXAGON SELFLOCK NUT M8	
31312083	31312083	1	STUD BOLT M8X46X16X16	
31312088	31312088	1	STUD BOLT M8X40X14X14	
31423084	31423084	1	SPRING WASHER 8,4	
31423105	31423105	1	SPRING WASHER 10,5	
37112173	37112173	1	BEARING 6203 DDU7C3EX26 NSK	
50956262	50956262	1	CLUTCH LEVER	
52447896	52447896	1	PRESSURE PLATE	
53156150	53156150	1	ENGINE FLANGE B&S 8HP I/P	
53247488	53247488	1	ENGINE FLANGE H=21	
55147842	55147842	1	BELLOWS	
55157609	55157609	1	BELLOWS	
56147845	56147845	1	CLUTCH LEVER	
56156276	56156276	1	SLEEVE D.19	
56156281	56156281	1	CENTRING BUSH D.25,4	
56156284	56156284	1	SPACER D19	
56156285	56156285	1	SPACER D25	
59247884	59247884	1	CLUTCH ASSY	
59247924	59247924	1	CLUTCH	
59247971	59247971	1	CLUTCH	
59256255	59256255	1	CLUTCH ASSY	
59256275	59256275	1	CLUTCH ASSY	
59256279	59256279	1	CLUTCH ASSY	
59256280	59256280	1	CLUTCH ASSY	





MOTORE ENGINE MOTEUR MOTOR	FRIZIONE CLUTCH A EMBRAYAGE EMBRAGUE KUPPLUNG
Acme A220	59247884
Acme ACT280 - A349 - A360	59247884
Acme ACT340	59247971
Honda Gx 390 - Gx 340 D=25,4	59256280
Honda Gx 240 / 270 D=25,4	59256279
Honda Gx 120 / 160 / 200 D=19	59256275
Lombardini 15LD315 / 350	59247884
Lombardini 15LD500	59247924
Lombardini LGA340 0	59247971
Yanmar L100AE	59247971
Yanmar L70AE	59247884



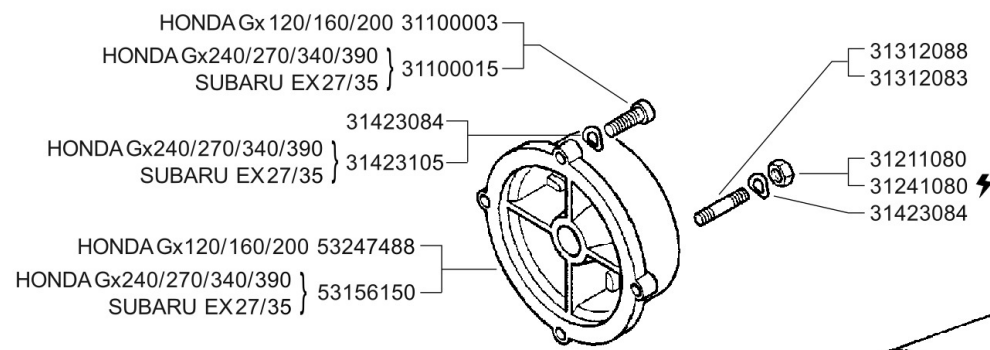
! NON SMONTARE MAI LA FRIZIONE
 NEVER DISASSEMBLE THE CLUTCH
 NE DEMONTER JAMAIS L'EMBRAYAGE
 NIEMALS DIE KUPPLUNG AUSBAUEN
 NO DESMONTAR JAMAS EL EMBRAGUE

FERRARI	500 serie GRIFON	FRIZIONE A CONO AUTOVENTILANTE		DALLA MACCHINA DE LA MAQUINA DE LA MACHINE FROM THE MACHINE AB DER MASCHINE	AGGIORNAMENTO	D01	Rev. 3
		CLUTCH EMBRAGUE	EMBRYAGE KUPPLUNG		REVISION		
				ON.	MISE A JOUR	01/2009	ZENNE
					ANPASSUNG		

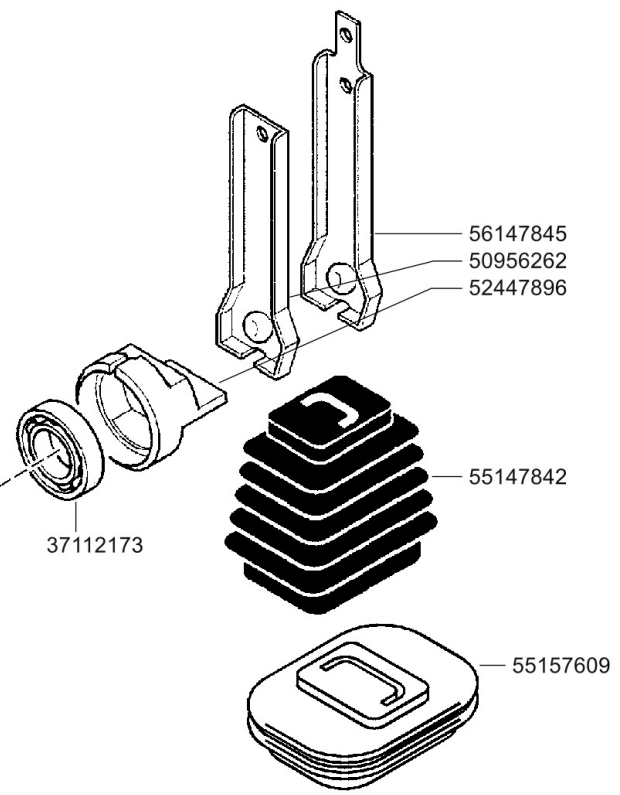
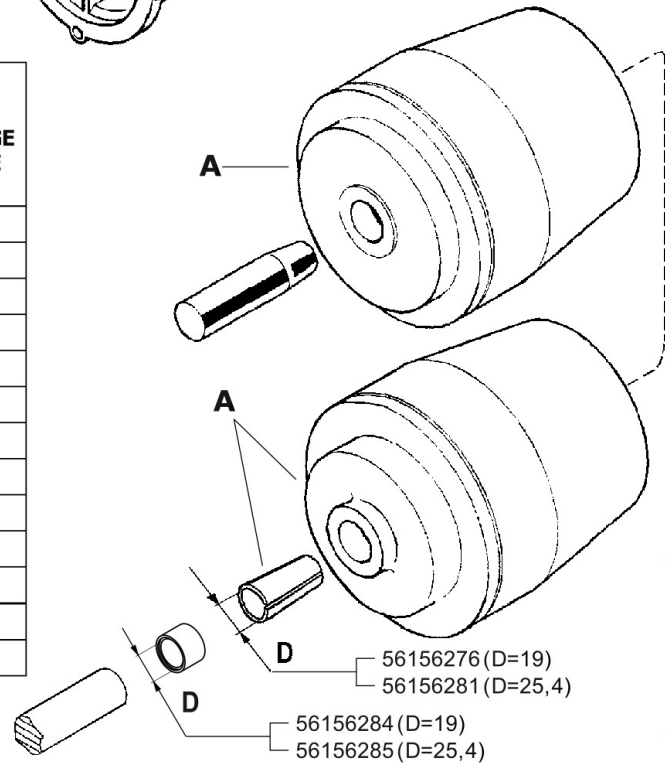


Pos.	Id	Q.ty	Description	Note
31100003	31100003	1	SCREW TE 5/16X7/8	
31100015	31100015	1	SCREW TE 3/8X1	
31211080	31211080	1	NUT M8	
31241080	31241080	1	HEXAGON SELFLOCK NUT M8	
31312083	31312083	1	STUD BOLT M8X46X16X16	
31312088	31312088	1	STUD BOLT M8X40X14X14	
31423084	31423084	1	SPRING WASHER 8,4	
31423105	31423105	1	SPRING WASHER 10,5	
37112173	37112173	1	BEARING 6203 DDU7C3EX26 NSK	
50956262	50956262	1	CLUTCH LEVER	
52447896	52447896	1	PRESSURE PLATE	
53156150	53156150	1	ENGINE FLANGE B&S 8HP I/P	
53247488	53247488	1	ENGINE FLANGE H=21	
55147842	55147842	1	BELLOWS	
55157609	55157609	1	BELLOWS	
56147845	56147845	1	CLUTCH LEVER	
56156276	56156276	1	SLEEVE D.19	
56156281	56156281	1	CENTRING BUSH D.25,4	
56156284	56156284	1	SPACER D19	
56156285	56156285	1	SPACER D25	
59247884	59247884	1	CLUTCH ASSY	
59247924	59247924	1	CLUTCH	
59247971	59247971	1	CLUTCH	
59256275	59256275	1	CLUTCH ASSY	
59256279	59256279	1	CLUTCH ASSY	
59256280	59256280	1	CLUTCH ASSY	





MOTORE ENGINE MOTEUR MOTOR MOTOR	FRIZIONE CLUTCH A EMBRAYAGE EMBRAGUE KUPPLUNG
Acme A220	59247884
Acme ACT 280 - A349 - A360	59247884
Acme ACT 340	59247971
Honda Gx 390 - Gx 340 D=25,4	59256280
Honda Gx 240/270 D=25,4	59256279
Honda Gx 120/160/200 D=19	59256275
Lombardini 15LD315/350	59247884
Lombardini 15LD500	59247924
Lombardini LGA340	59247971
Subaru EX 27 \emptyset	59256279
Subaru EX 35 \emptyset	59256280
Yanmar L100AE	59247971
Yanmar L70AE	59247884



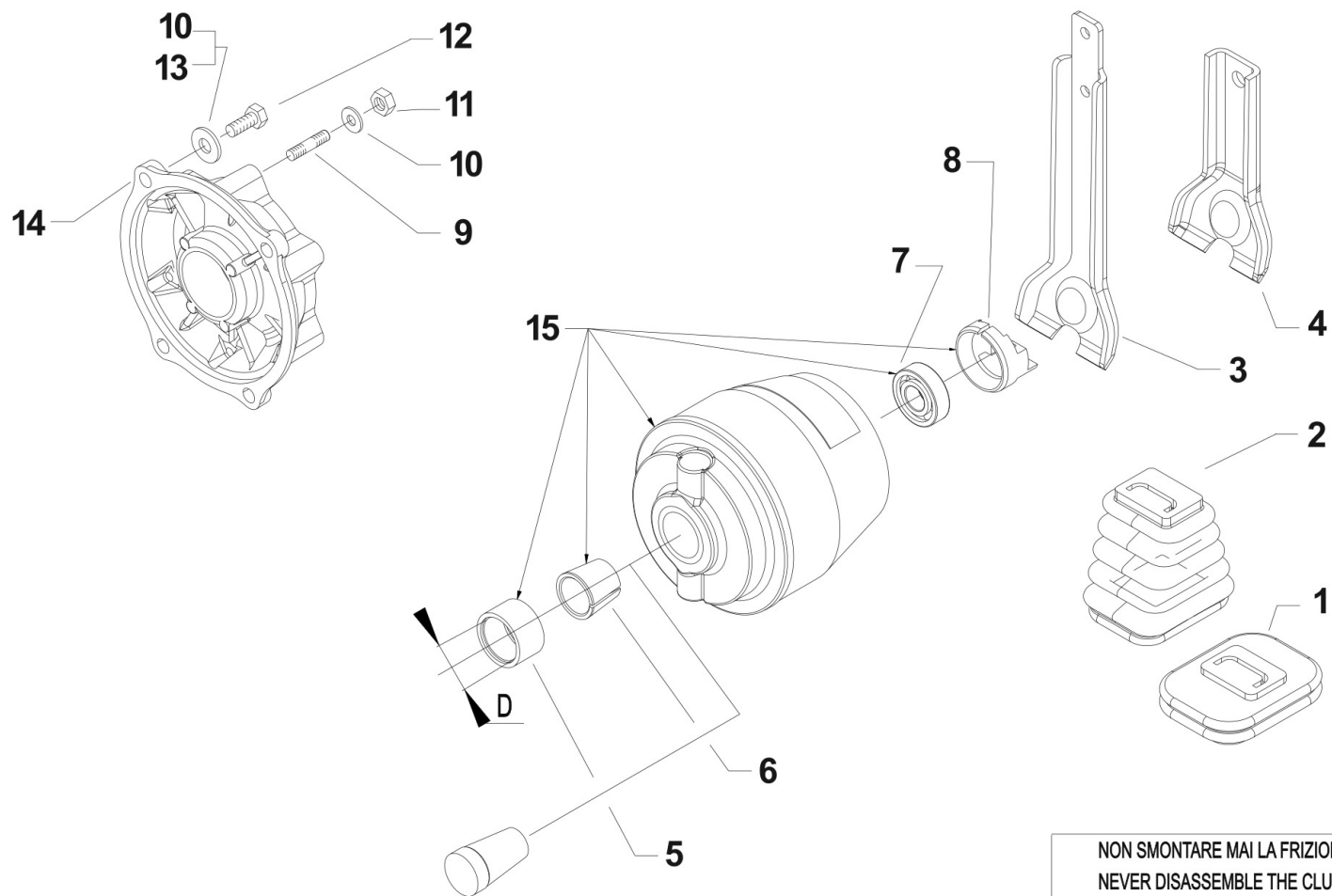
! NON SMONTARE MAI LA FRIZIONE
 NEVER DISASSEMBLE THE CLUTCH
 NE DEMONTER JAMAIS L'EMBRAYAGE
 NIEMALS DIE KUPPLUNG AUSBAUEN
 NO DESMONTAR JAMAS EL EMBRAGUE

FERRARI	500 serie GRIFON	FRIZIONE A CONO AUTOVENTILANTE	DALLA MACCHINA DE LA MAQUINA DE LA MACHINE FROM THE MACHINE AB DER MASCHINE	AGGIORNAMENTO	D01	Rev. 4
				REVISION		
		CLUTCH EMBRAGUE	EMBRYAGE KUPPLUNG	MISE A JOUR		
				APLAZAMIENTO		
			ON.	ANPASSUNG	03/2010	



Pos.	Id	Q.ty	Description	Note
31100003	31100003	1	SCREW TE 5/16X7/8	
31100015	31100015	1	SCREW TE 3/8X1	
31211080	31211080	1	NUT M8	
31241080	31241080	1	HEXAGON SELFLOCK NUT M8	
31312083	31312083	1	STUD BOLT M8X46X16X16	
31312088	31312088	1	STUD BOLT M8X40X14X14	
31423084	31423084	1	SPRING WASHER 8,4	
31423105	31423105	1	SPRING WASHER 10,5	
37112173	37112173	1	BEARING 6203 DDU7C3EX26 NSK	
50956262	50956262	1	CLUTCH LEVER	
52447896	52447896	1	PRESSURE PLATE	
53156150	53156150	1	ENGINE FLANGE B&S 8HP I/P	
53247488	53247488	1	ENGINE FLANGE H=21	
55147842	55147842	1	BELLOWS	
55157609	55157609	1	BELLOWS	
56147845	56147845	1	CLUTCH LEVER	
56156276	56156276	1	SLEEVE D.19	
56156281	56156281	1	CENTRING BUSH D.25,4	
56156284	56156284	1	SPACER D19	
56156285	56156285	1	SPACER D25	
59247884	59247884	1	CLUTCH ASSY	
59247924	59247924	1	CLUTCH	
59247971	59247971	1	CLUTCH	
59256275	59256275	1	CLUTCH ASSY	
59256279	59256279	1	CLUTCH ASSY	
59256280	59256280	1	CLUTCH ASSY	

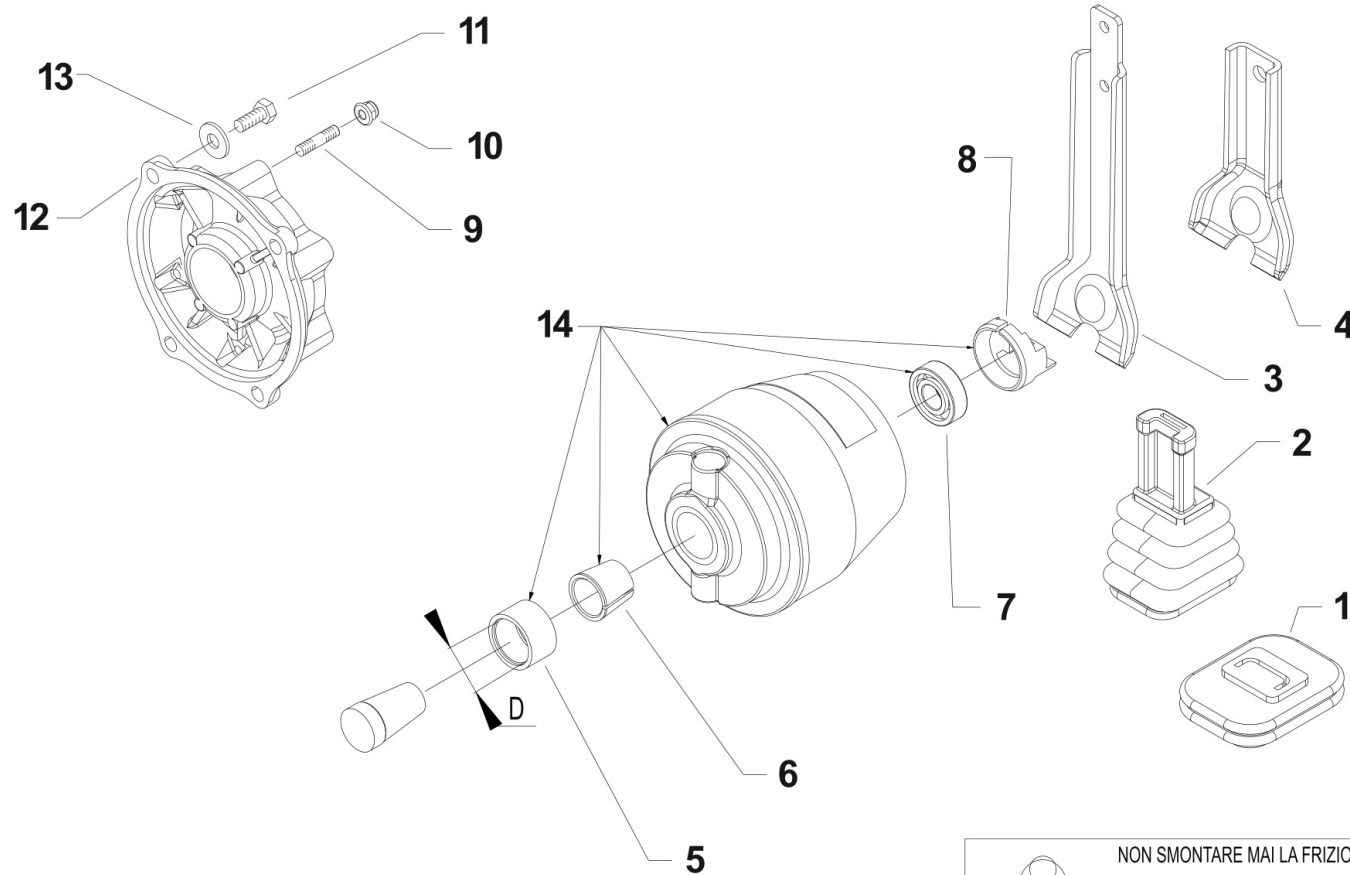





NON SMONTARE MAI LA FRIZIONE
 NEVER DISASSEMBLE THE CLUTCH
 NE DEMONTER JAMAIS L'EMBRAYAGE
 NIEMALS DIE KUPPLUNG AUSBAUEN
 NO DESMONTAR JAMAS EL EMBRAGUE

Pos.	Id	Q.ty	Description	Note
1	55157609	1	BELLOWS	ELECTRIC STARTING
2	55147842	1	BELLOWS	RECOIL STARTER
3	56147845	1	CLUTCH LEVER	RECOIL STARTER
4	50956262	1	CLUTCH LEVER	ELECTRIC STARTING
5	56156284	1	SPACER D19	
5	56156285	1	SPACER D25	
6	56156276	1	SLEEVE D.19	
6	56156281	1	CENTRING BUSH D.25,4	
7	37112173	1	BEARING 6203 DDU7C3EX26 NSK	
8	52447896	1	PRESSURE PLATE	
9	31312083	1	STUD BOLT M8X46X16X16	For motors EX21/LGA340/15LD350/L100AE/ACT340
9	31312088	1	STUD BOLT M8X40X14X14	For motors GX340/GX390/EX35
10	31423084	1	SPRING WASHER 8,4	
11	31211080	1	NUT M8	
11	31241080	1	HEXAGON SELFLOCK NUT M8	For engines with electric start
12	31100003	1	SCREW TE 5/16X7/8	For motors GX120/GX160/GX200/EX21
12	31100015	1	SCREW TE 3/8X1	For motors GX240/GX270/GX340/GX390/EX27/EX35
13	31423105	1	SPRING WASHER 10,5	For motors GX240/GX270/GX340/GX390
14	53156150	1	ENGINE FLANGE B&S 8HP I/P	For motors GX240/GX270/GX340/GX390/EX27/EX35
14	53247488	1	ENGINE FLANGE H=21	For motors GX120/GX160/GX200/EX21
15	59247884		CLUTCH ASSY	15LD315/15LD350 - ACME A220/ACME ACT 280/A349/A360 - L70AE
15	59247924		CLUTCH	15LD500
15	59247971		CLUTCH	L100AE - ACT340 - LGA340
15	59256275		CLUTCH ASSY	GX160/GX200 - EX21
15	59256279		CLUTCH ASSY	GX240/GX270 - EX27
15	59256280		CLUTCH ASSY	GX340/GX390 - EX35
15	59256295		CLUTCH ASSY	A220 (REF.)

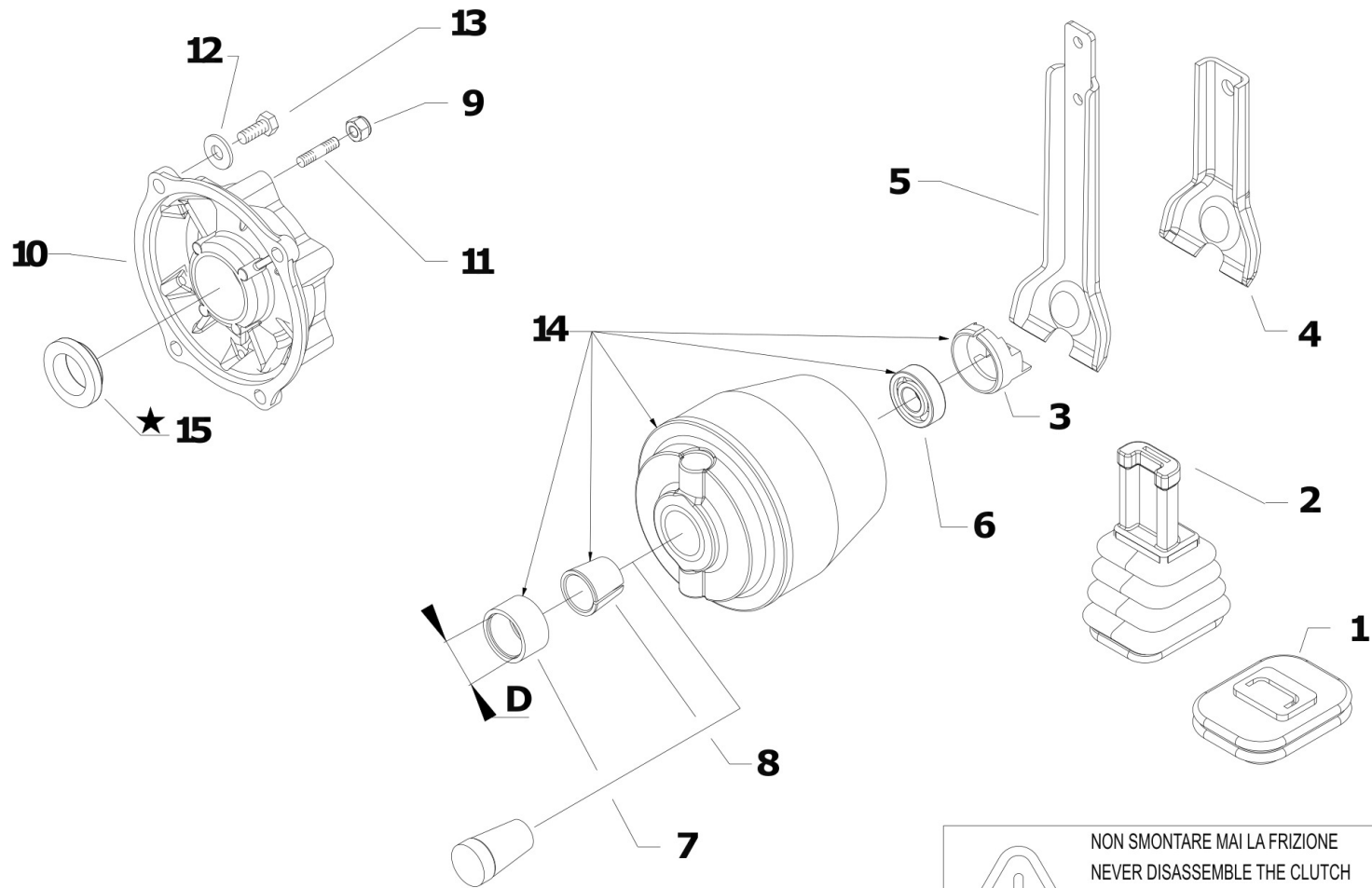






 NON SMONTARE MAI LA FRIZIONE
 NEVER DISASSEMBLE THE CLUTCH
 NE DEMONTER JAMAIS L'EMBRAYAGE
 NIEMALS DIE KUPPLUNG AUSBAUEN
 NO DESMONTAR JAMAS EL EMBRAGUE

Pos.	Id	Q.ty	Description	Note
1	55157609		BELLOWS	ELECTRIC STARTING
2	55156481		CLUTCH LEVER BELLOWS	Replaces 55147842 - RECOIL STARTER
3	56147845		CLUTCH LEVER	RECOIL STARTER
4	50956262		CLUTCH LEVER	ELECTRIC STARTING
5	56156284		SPACER D19	
5	56156285		SPACER D25	
6	56156276		SLEEVE D.19	
6	56156281		CENTRING BUSH D.25,4	
7	37112173		BEARING 6203 DDU7C3EX26 NSK	
8	524C1014		PRESSURE CONE	REPLACE 52447896
9	31312083		STUD BOLT M8X46X16X16	
10	31241083		SELFLOCK NUT M8	Replaces 31211080 + 31423084
11	31100003		SCREW TE 5/16X7/8	For engines GX120-GX160-GX200-EX21
11	31100015		SCREW TE 3/8X1	For engines GX240-GX270-GX340-GX390-EX27-EX35
12	53156150		ENGINE FLANGE B&S 8HP I/P	For engines GX240-GX270-GX340-GX390-EX27-EX35
12	53247488		ENGINE FLANGE H=21	For engines GX120-GX160-GX200-EX21
13	31423084		SPRING WASHER 8,4	
13	31423105		SPRING WASHER 10,5	For engines GX240-GX270-GX340-GX390-EX27-EX35
14	59247489		CONIC CLUTCH D=23 1 CPL SPRING	REPLACES 59247884 - 15LD315/15LD350 - A220 - ACT280/A349/A360 - L70 - KD350
14	59247513		CONIC CLUTCH D=24 2 SPRINGS	REPLACES 59247924 - 15LD500
14	59247823		CONIC CLUTCH D=23,2 2 SPRINGS	REPLACES 59247971 - L100 - ACT340 - LGA340 - KD440
14	592C1010		CLUTCH D.19 Q(UP TO 9HP)	REPLACES 59256275 - GX120/GX160/GX200 - EX21
14	592C1011		COMPLETE CLUTCH D=25,4 9HP	REPLACES 59256275 - GX240/GX270 - EX27
14	592C1012		CONIC CLUTCH D=25,4 UP 9HP	REPLACES 59256280 - GX340/GX390 - EX35
14	592C1013		FRIZIONE C.TA 1 MOLLA SP. REF.	REPLACES 59256295 - A220 REFORM






 NON SMONTARE MAI LA FRIZIONE
 NEVER DISASSEMBLE THE CLUTCH
 NE DEMONTER JAMAIS L'EMBRAYAGE
 NIEMALS DIE KUPPLUNG AUSBAUEN
 NO DESMONTAR JAMAS EL EMBRAGUE

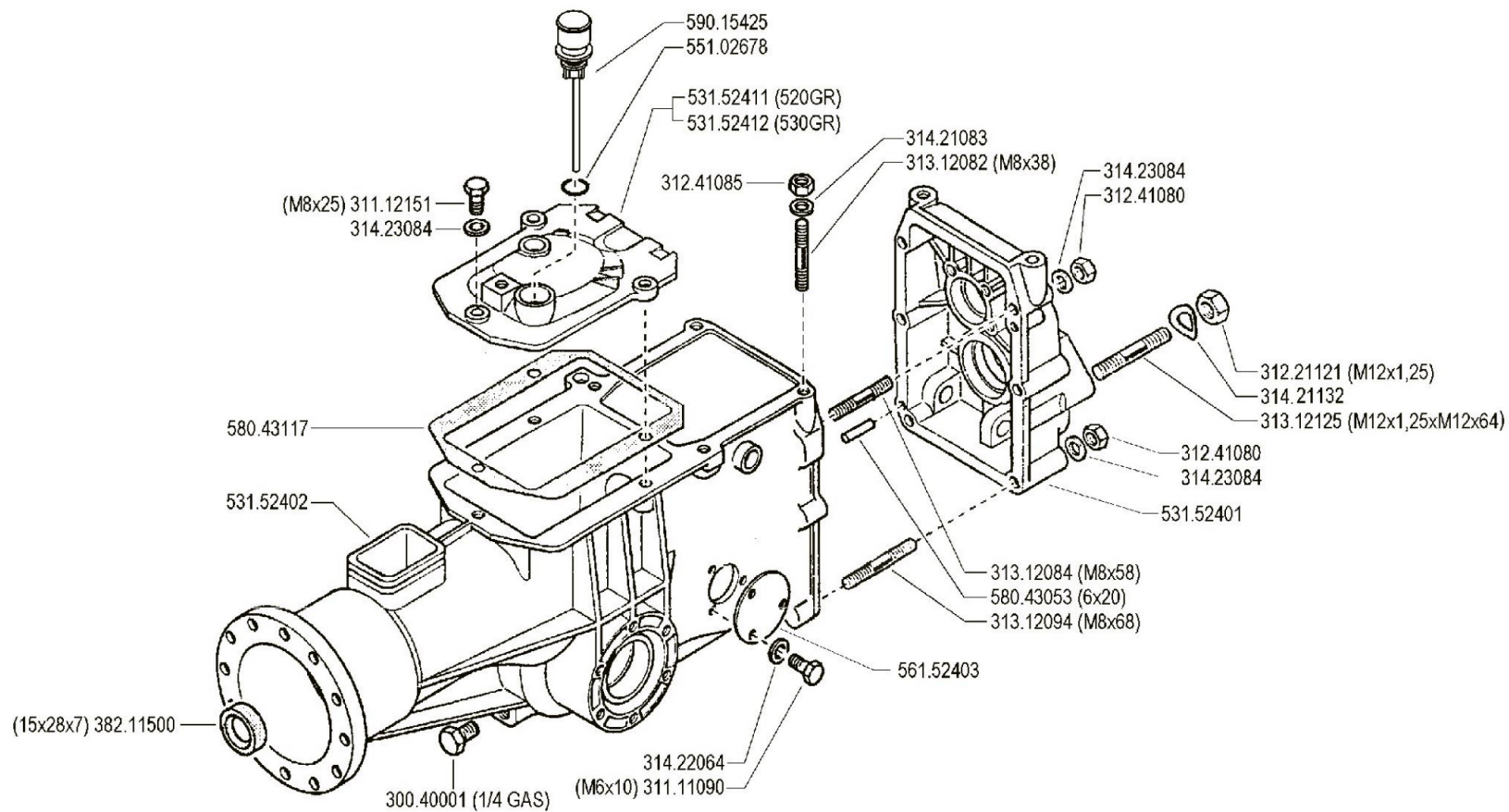


[Click for info](#)

★ = new part

Pos.	Id	Q.ty	Description	Note
1	55157609		BELLOWS	ELECTRIC STARTING
2	55156481		CLUTCH LEVER BELLOWS	Replaces 55147842 - RECOIL STARTER
3	56147845		CLUTCH LEVER	RECOIL STARTER
4	50956262		CLUTCH LEVER	ELECTRIC STARTING
5	56156284		SPACER D19	
5	56156285		SPACER D25	
6	56156276		SLEEVE D.19	
6	56156281		CENTRING BUSH D.25,4	
7	37112173		BEARING 6203 DDU7C3EX26 NSK	
8	524C1014		PRESSURE CONE	REPLACE 52447896
9	31312083		STUD BOLT M8X46X16X16	
10	31241083		SELFLOCK NUT M8	Replaces 31211080 + 31423084
11	31100003		SCREW TE 5/16X7/8	For engines GX120-GX160-GX200-EX21
11	31100015		SCREW TE 3/8X1	For engines GX240-GX270-GX340-GX390-EX27-EX35
12	53156150		ENGINE FLANGE B&S 8HP I/P	For engines GX240-GX270-GX340-GX390-EX27-EX35
12	53247488		ENGINE FLANGE H=21	For engines GX120-GX160-GX200-EX21
13	31423084		SPRING WASHER 8,4	
13	31423105		SPRING WASHER 10,5	For engines GX240-GX270-GX340-GX390-EX27-EX35
14	59247489		CONIC CLUTCH D=23 1 CPL SPRING	REPLACES 59247884 - 15LD315/15LD350 - A220 - ACT280/A349/A360 - L70 - KD350
14	59247513		CONIC CLUTCH D=24 2 SPRINGS	REPLACES 59247924 - 15LD500
14	59247823		CONIC CLUTCH D=23,2 2 SPRINGS	REPLACES 59247971 - L100 - ACT340 - LGA340 - KD440
14	592C1010		CLUTCH D.19 Q(UP TO 9HP)	REPLACES 59256275 - GX120/GX160/GX200 - EX21
14	592C1011		COMPLETE CLUTCH D=25,4 9HP	REPLACES 59256275 - GX240/GX270 - EX27
14	592C1012		CONIC CLUTCH D=25,4 UP 9HP	REPLACES 59256280 - GX340/GX390 - EX35
14	592C1013		FRIZIONE C.TA 1 MOLLA SP. REF.	REPLACES 59256295 - A220 REFORM
15	551C1033		GASKET	





FERRARI

500 serie **GRIFON**

SCATOLA CAMBIO (520 GR - 530 GR)

GEARBOX
CAJA DE CAMBIO

BOITE DE VITESSES
WECHSELGETRIEBE

DALLA MACCHINA
DE LA MAQUINA
DE LA MACHINE
FROM THE MACHINE
AB DER MASCHINE

N.

E02

Rev.
0

09/2004

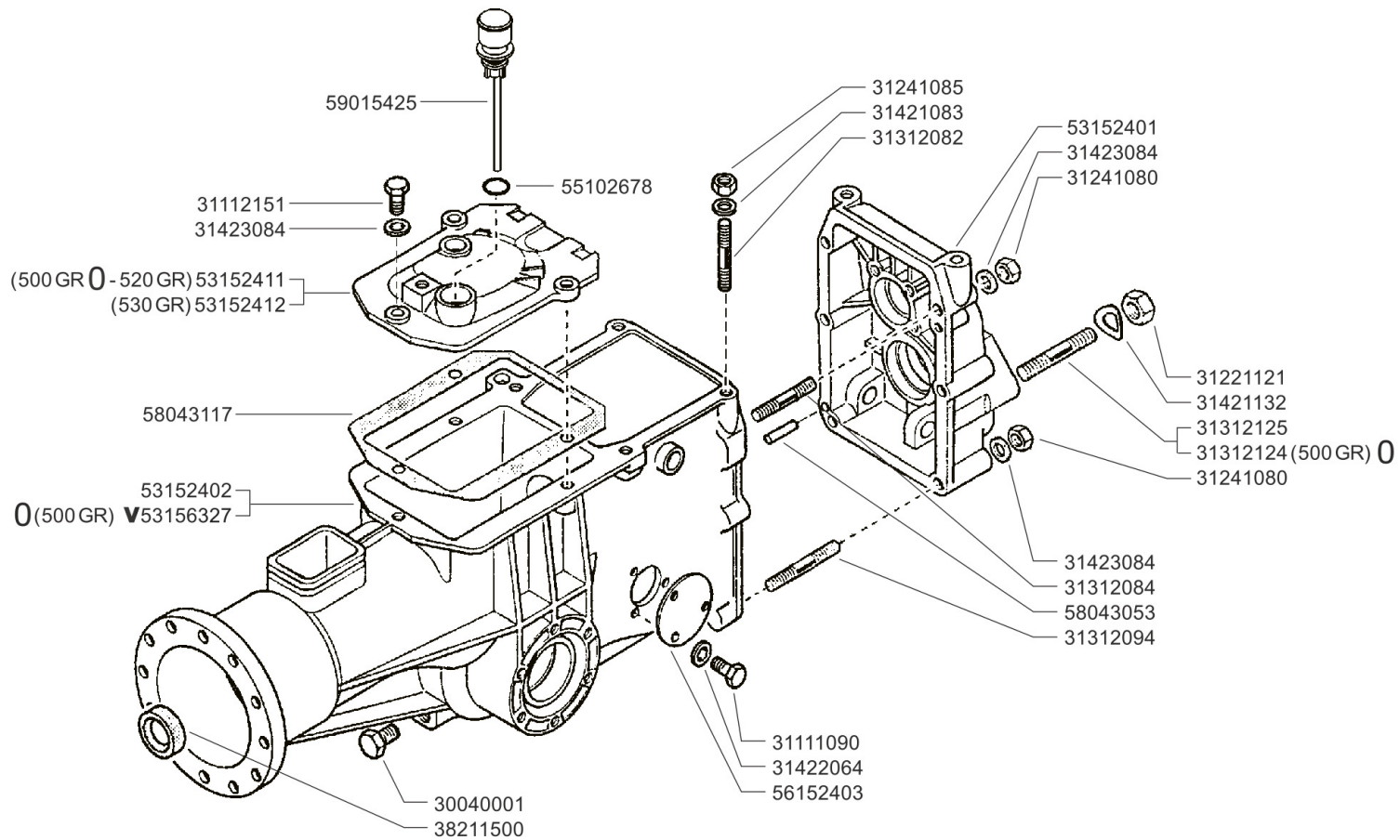
ZENNE

FERRARI

FERRARI Motor mowers, FERRARI 2-wheel tractors - 530 GRIFON
E02_0_22563 - GEARBOX

Pos.	Id	Q.ty	Description	Note
30040001	30040001	1	PLUG 1/4 UNI 364	
31111090	31111090	1	SCREW TE M5X10 UNI 5739 8G	
31112151	31112151	1	SCREW TE M8X25 UNI 5739 8G	
31221121	31221121	1	NUT M12X1,25	
31241080	31241080	1	HEXAGON SELFLOCK NUT M8	
31241085	31241085	1	SELFLOCK NUT M8 6S	
31312082	31312082	1	STUD BOLT M8X38X14X20	
31312084	31312084	1	STUD BOLT M8X58X16X16	
31312094	31312094	1	STUD BOLT M8X68X14X36	
31312125	31312125	1	STUD BOLT 64XM12X1,25X26XM12X30 8G	
31421083	31421083	1	WASHER	
31421132	31421132	1	WASHER 13X24X2,8	
31422064	31422064	1	SPRING WASHER 6,4	
31423084	31423084	1	SPRING WASHER 8,4	
38211500	38211500	1	OIL SEAL 15X28X7	
53152401	53152401	1	REAR COVER	
53152402	53152402	1	BODY	
53152411	53152411	1	GEARBOX HOUSING COVER	
53152412	53152412	1	COVER	
55102678	55102678	1	RUBBER RING	
56152403	56152403	1	COVER	
58043053	58043053	1	CYLINDRICAL PLUG	
58043117	58043117	1	COVER GASKET	
59015425	59015425	1	PLUG	



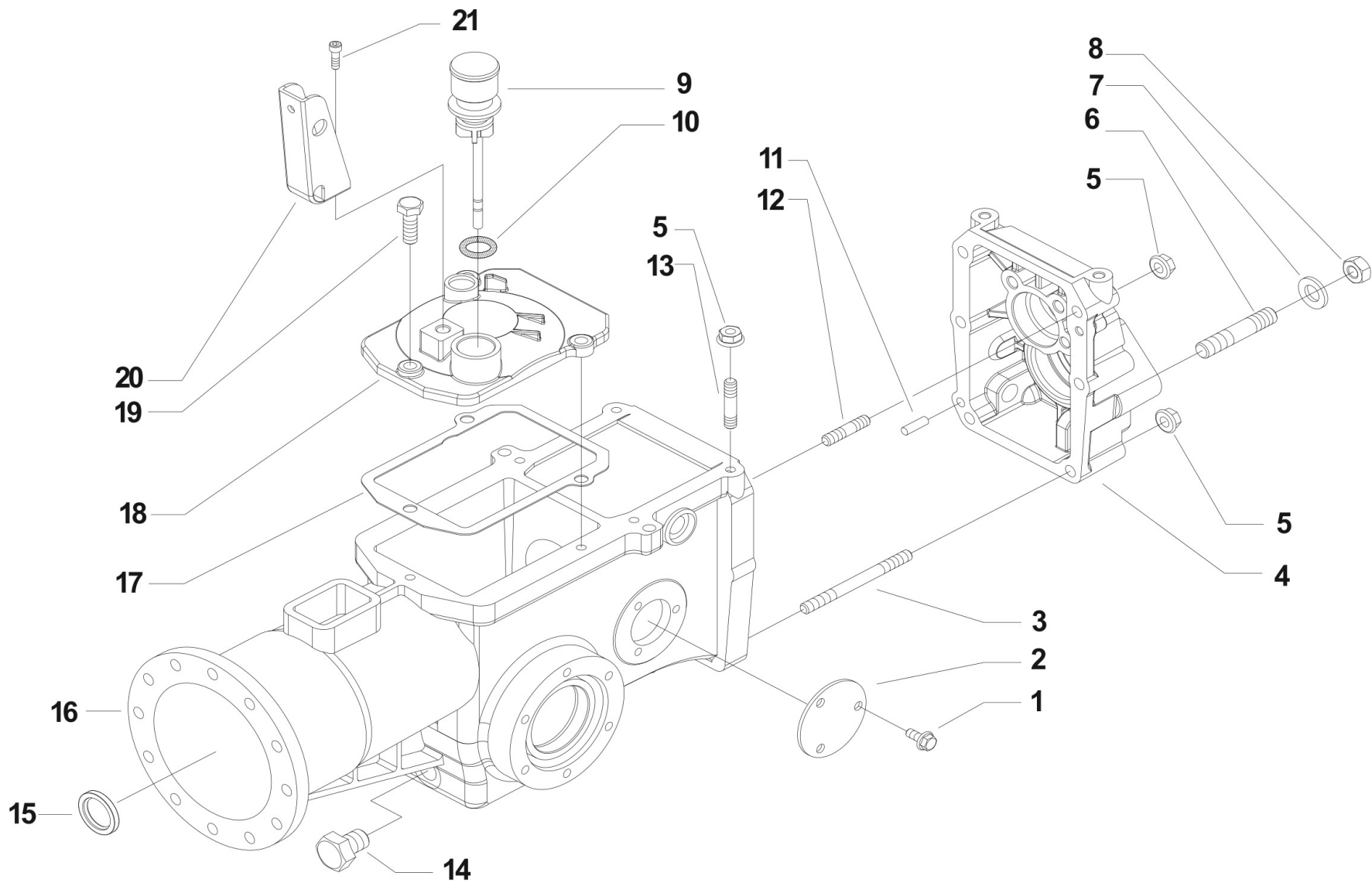


V = verde - green - vert - grün

	<h1>500 serie GRIFON</h1>	SCATOLA CAMBIO (500 GR 0 - 520 GR - 530 GR)		DALLA MACCHINA DE LA MAQUINA DE LA MACHINE FROM THE MACHINE AB DER MASCHINE ON.	AGGIORNAMENTO	<div style="font-size: 2em; font-weight: bold;">E02</div> <div style="font-size: 2em; font-weight: bold;">06/2006</div>	Rev.
		GEARBOX	BOITE DE VITESSES		REVISION		1
		CAJA DE CAMBIO	WEC HSELGETRIEBE		MISE A JOUR		
					APLAZAMIENTO		
					ANPASSUNG		

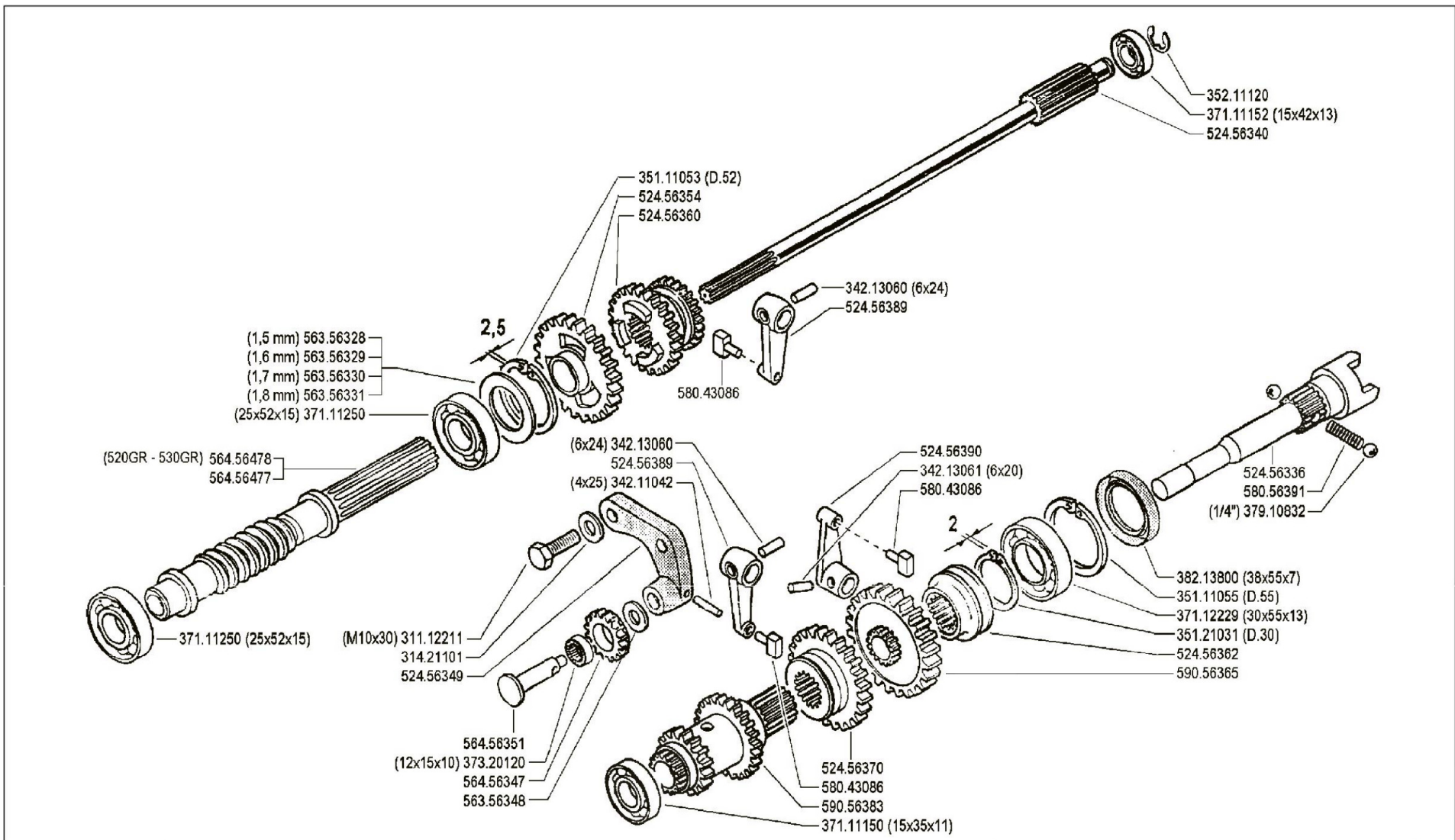
Pos.	Id	Q.ty	Description	Note
30040001	30040001	1	PLUG 1/4 UNI 364	
31111090	31111090	1	SCREW TE M5X10 UNI 5739 8G	
31112151	31112151	1	SCREW TE M8X25 UNI 5739 8G	
31221121	31221121	1	NUT M12X1,25	
31241080	31241080	1	HEXAGON SELFLOCK NUT M8	
31241085	31241085	1	SELFLOCK NUT M8 6S	
31312082	31312082	1	STUD BOLT M8X38X14X20	
31312084	31312084	1	STUD BOLT M8X58X16X16	
31312094	31312094	1	STUD BOLT M8X68X14X36	
31312124	31312124	1	STUD BOLT 52XM12X1,25X22XM12X22 8G	
31312125	31312125	1	STUD BOLT 64XM12X1,25X26XM12X30 8G	
31421083	31421083	1	WASHER	
31421132	31421132	1	WASHER 13X24X2,8	
31422064	31422064	1	SPRING WASHER 6,4	
31423084	31423084	1	SPRING WASHER 8,4	
38211500	38211500	1	OIL SEAL 15X28X7	
53152401	53152401	1	REAR COVER	
53152402	53152402	1	BODY	
53152411	53152411	1	GEARBOX HOUSING COVER	
53152412	53152412	1	COVER	
53156327	53156327	1	BODY	
55102678	55102678	1	RUBBER RING	
56152403	56152403	1	COVER	
58043053	58043053	1	CYLINDRICAL PLUG	
58043117	58043117	1	COVER GASKET	
59015425	59015425	1	PLUG	





Pos.	Id	Q.ty	Description	Note
1	31112083	1	SCREW M6X12	
2	56147520Z	1	COVER	
3	31312094	1	STUD BOLT M8X68X14X36	
4	53156332V	1	REAR COVER	
5	31241084	1	SELFLOCK NUT M8 6S	
6	31312124	1	STUD BOLT 52XM12X1,25X22XM12X22 8G	For the model 500GR
6	31312125	1	STUD BOLT 64XM12X1,25X26XM12X30 8G	
7	31421132	1	WASHER 13X24X2,8	
8	31221121	1	NUT M12X1,25	
9	59015425	1	PLUG	
10	55102678	1	RUBBER RING	
11	58043053	1	CYLINDRICAL PLUG	
12	31312084	1	STUD BOLT M8X58X16X16	
13	31312082	1	STUD BOLT M8X38X14X20	
14	30040001	1	PLUG 1/4 UNI 364	
15	38211500	1	OIL SEAL 15X28X7	
16	53156326	1	BODY	
16	53156327	1	BODY	For the model 500GR
17	58043117	1	COVER GASKET	
18	53143875	1	GEARBOX HOUSING COVER	For the model 530GR
18	53143879	1	GEARBOX HOUSING COVER	For models 500GR/520GR
19	31112166	1	SCREW TE C/F M8X25 DIN 6921 8G	
20	56147923	1	BRACKET	
21	59015425	1	PLUG	





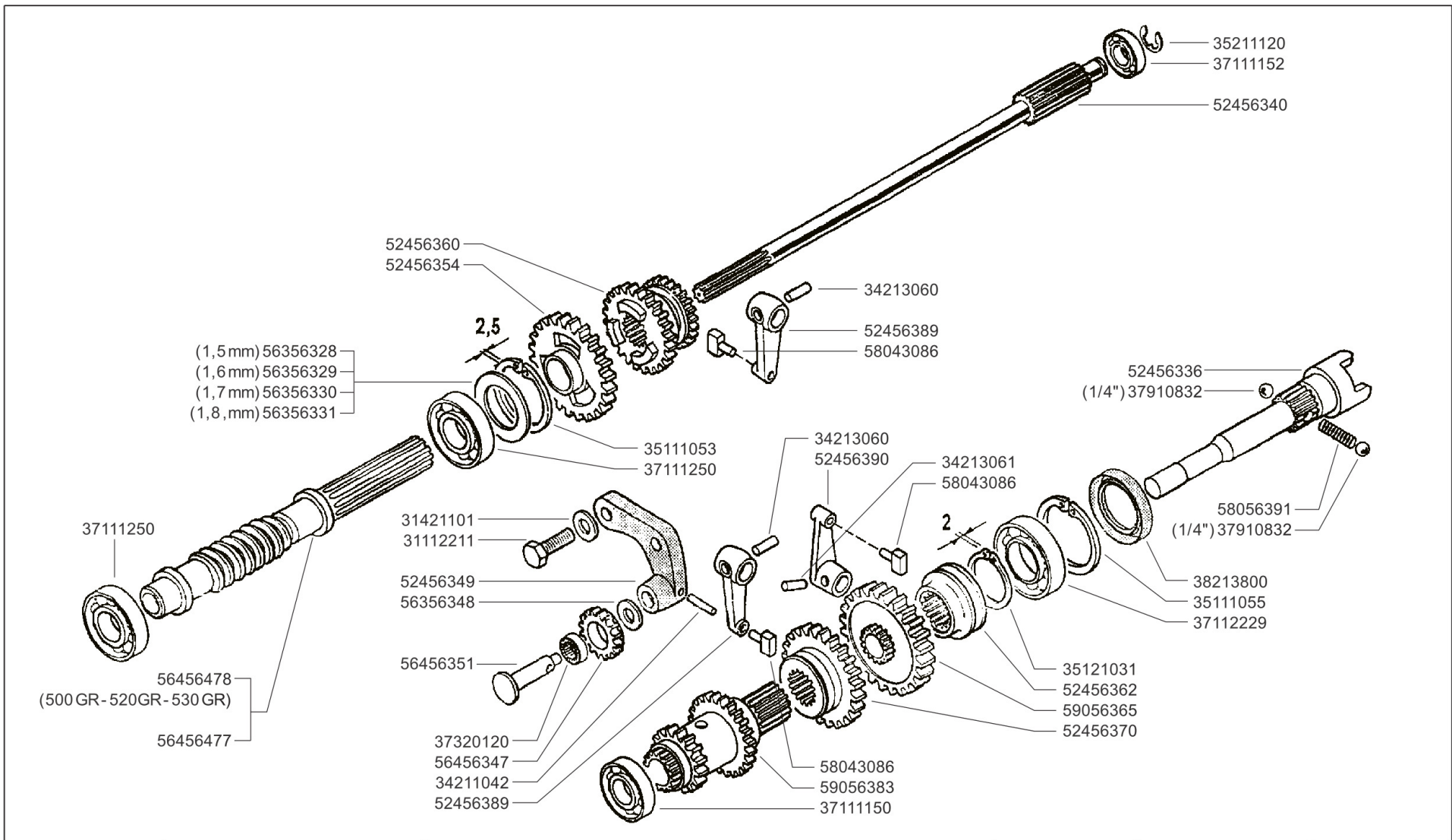
	500 serie GRIFON	INGRANAGGI CAMBIO (520 GR - 530 GR - 530S GR - S MUSTER)		DALLA MACCHINA DE LA MAQUINA FROM THE MACHINE AB DER MASCHINE	Rev. 0
		GEARS ENGRANAJES	ENGRANAGES ZÄHNRÄDER		

Pos.	Id	Q.ty	Description	Note
31112211	31112211	1	SCREW TE M10X30 UNI 5739	
31421101	31421101	1	WASHER 10 DIN 679	
34211042	34211042	1	ROLL PIN	
34213060	34213060	1	ROLL PIN	
34213061	34213061	1	ROLL PIN	
35111053	35111053	1	SEEGER RING I 52 UNI 7438	
35111055	35111055	1	SEEGER RING I 55 DIN 472	
35121031	35121031	1	SEEGER RING E 30 UNI 7436	
35211120	35211120	1	SEEGER RING E 12 UNI 7434	
37111150	37111150	1	BEARING 6202 (15X35X11)	
37111152	37111152	1	BEARING 6302 (15X42X13) SKF	
37111250	37111250	1	BEARING	
37112229	37112229	1	BEARING 6006 (30X55X13) SKF	
37320120	37320120	1	ROLLER CAGE 12X15/10	
37910832	37910832	1	BALL 1/4	
38213800	38213800	1	OIL SEAL 38X55X7	
52456336	52456336	1	PTO SHAFT L=193	
52456340	52456340	1	SHAFT	
52456349	52456349	1	GEAR SUPPORT	
52456354	52456354	1	GEAR	
52456360	52456360	1	SLIDER	
52456362	52456362	1	COUPLING	
52456370	52456370	1	SLIDER	
52456389	52456389	1	LEVER	
52456390	52456390	1	LEVER	
56356328	56356328	1	ADJUSTING RING SP=1,5	
56356329	56356329	1	ADJUSTING RING SP=1,6	
56356330	56356330	1	ADJUSTING RING SP=1,7	
56356331	56356331	1	ADJUSTING RING SP=1,8	



Pos.	Id	Q.ty	Description	Note
56356348	56356348	1	ADJUSTING RING	
56456347	56456347	1	GEAR	
56456351	56456351	1	GEAR PIN	
56456477	56456477	1	SCREW 4 DS	
56456478	56456478	1	SCREW 2	
58043086	58043086	1	SHOE	
58056391	58056391	1	SPRING	
59056365	59056365	1	PTO GEAR	
59056383	59056383	1	TRIPLE GEAR	





FERRARI	500 serie GRIFON	INGRANAGGI/CAMBIO (500 GR - 520 GR - 530 GR - 530S GR - SMUSTER)		ON.	AGGIORNAMENTO	F03	Rev.
		GEARS	ENGRANAGES		REVISION		1
		ENGRANAJES	ZÄHRÄDER		MISE A JOUR		
					APLAZAMIENTO		06/2006
					ANPASSUNG		



Pos.	Id	Q.ty	Description	Note
31112211	31112211	1	SCREW TE M10X30 UNI 5739	
31421101	31421101	1	WASHER 10 DIN 679	
34211042	34211042	1	ROLL PIN	
34213060	34213060	1	ROLL PIN	
34213061	34213061	1	ROLL PIN	
35111053	35111053	1	SEEGER RING I 52 UNI 7438	
35111055	35111055	1	SEEGER RING I 55 DIN 472	
35121031	35121031	1	SEEGER RING E 30 UNI 7436	
35211120	35211120	1	SEEGER RING E 12 UNI 7434	
37111150	37111150	1	BEARING 6202 (15X35X11)	
37111152	37111152	1	BEARING 6302 (15X42X13) SKF	
37111250	37111250	1	BEARING	
37112229	37112229	1	BEARING 6006 (30X55X13) SKF	
37320120	37320120	1	ROLLER CAGE 12X15/10	
37910832	37910832	1	BALL 1/4	
38213800	38213800	1	OIL SEAL 38X55X7	
52456336	52456336	1	PTO SHAFT L=193	
52456340	52456340	1	SHAFT	
52456349	52456349	1	GEAR SUPPORT	
52456354	52456354	1	GEAR	
52456360	52456360	1	SLIDER	
52456362	52456362	1	COUPLING	
52456370	52456370	1	SLIDER	
52456389	52456389	1	LEVER	
52456390	52456390	1	LEVER	
56356328	56356328	1	ADJUSTING RING SP=1,5	
56356329	56356329	1	ADJUSTING RING SP=1,6	
56356330	56356330	1	ADJUSTING RING SP=1,7	
56356331	56356331	1	ADJUSTING RING SP=1,8	



Pos.	Id	Q.ty	Description	Note
56356348	56356348	1	ADJUSTING RING	
56456347	56456347	1	GEAR	
56456351	56456351	1	GEAR PIN	
56456477	56456477	1	SCREW 4 DS	
56456478	56456478	1	SCREW 2	
58043086	58043086	1	SHOE	
58056391	58056391	1	SPRING	
59056365	59056365	1	PTO GEAR	
59056383	59056383	1	TRIPLE GEAR	

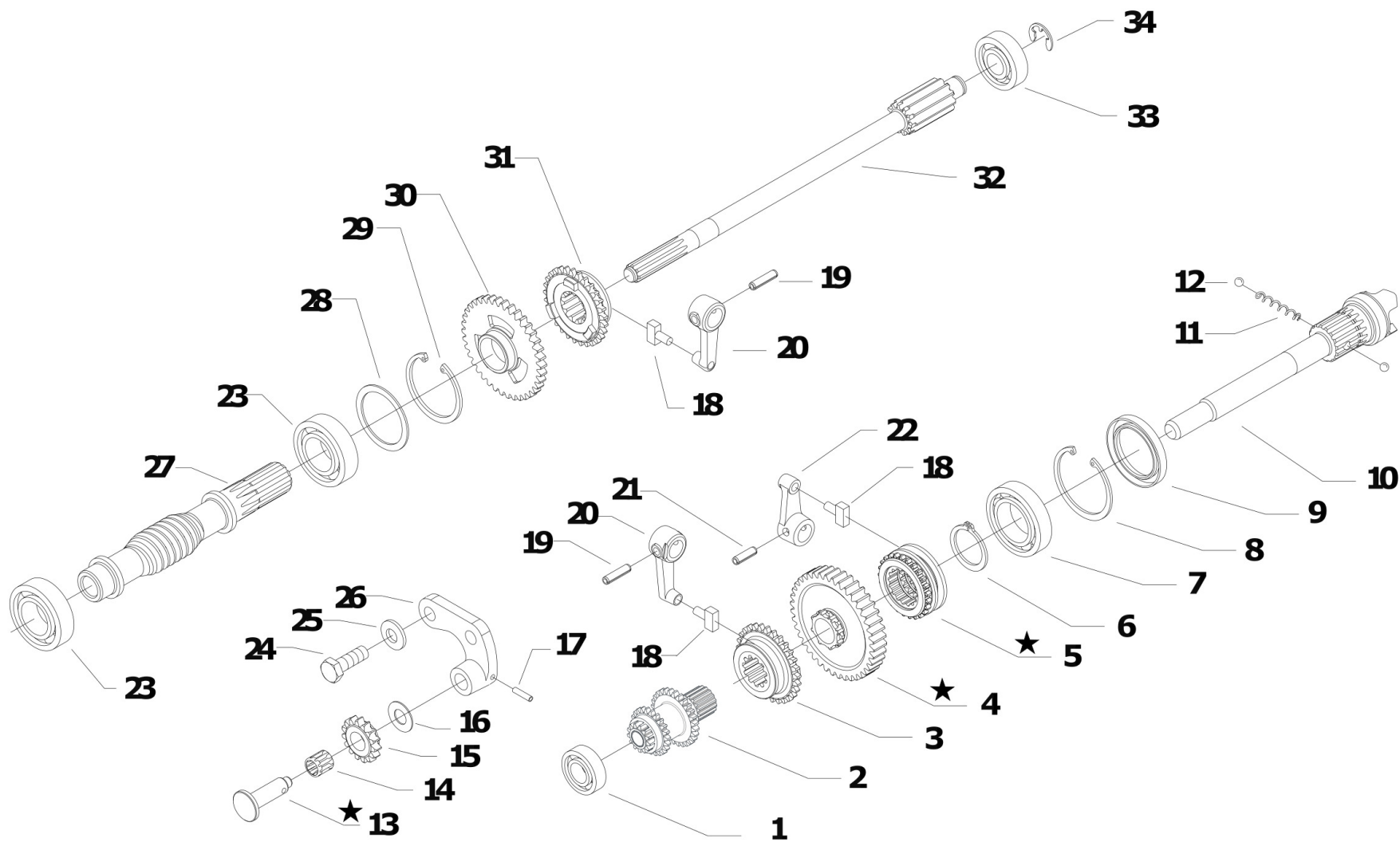


Pos.	Id	Q.ty	Description	Note
31112211	31112211	1	SCREW TE M10X30 UNI 5739	
31421101	31421101	1	WASHER 10 DIN 679	
34211042	34211042	1	ROLL PIN	
34213060	34213060	1	ROLL PIN	
34213061	34213061	1	ROLL PIN	
35111053	35111053	1	SEEGER RING I 52 UNI 7438	
35111055	35111055	1	SEEGER RING I 55 DIN 472	
35121031	35121031	1	SEEGER RING E 30 UNI 7436	
35211120	35211120	1	SEEGER RING E 12 UNI 7434	
37111150	37111150	1	BEARING 6202 (15X35X11)	
37111152	37111152	1	BEARING 6302 (15X42X13) SKF	
37111250	37111250	1	BEARING	
37112229	37112229	1	BEARING 6006 (30X55X13) SKF	
37320120	37320120	1	ROLLER CAGE 12X15/10	
37910832	37910832	1	BALL 1/4	
38213800	38213800	1	OIL SEAL 38X55X7	
52456336	52456336	1	PTO SHAFT L=193	
52456340	52456340	1	SHAFT	
52456349	52456349	1	GEAR SUPPORT	
52456354	52456354	1	GEAR	
52456360	52456360	1	SLIDER	
52456362	52456362	1	COUPLING	
52456370	52456370	1	SLIDER	
52456389	52456389	1	LEVER	
52456390	52456390	1	LEVER	
52456706	52456706	1	PTO COUPLING	
56356328	56356328	1	ADJUSTING RING SP=1,5	
56356329	56356329	1	ADJUSTING RING SP=1,6	
56356330	56356330	1	ADJUSTING RING SP=1,7	



Pos.	Id	Q.ty	Description	Note
56356331	56356331	1	ADJUSTING RING SP=1,8	
56356348	56356348	1	ADJUSTING RING	
56456347	56456347	1	GEAR	
56456351	56456351	1	GEAR PIN	
56456477	56456477	1	SCREW 4 DS	
56456478	56456478	1	SCREW 2	
58043086	58043086	1	SHOE	
58056391	58056391	1	SPRING	
59056365	59056365	1	PTO GEAR	
59056383	59056383	1	TRIPLE GEAR	
59056707	59056707	1	GEAR	





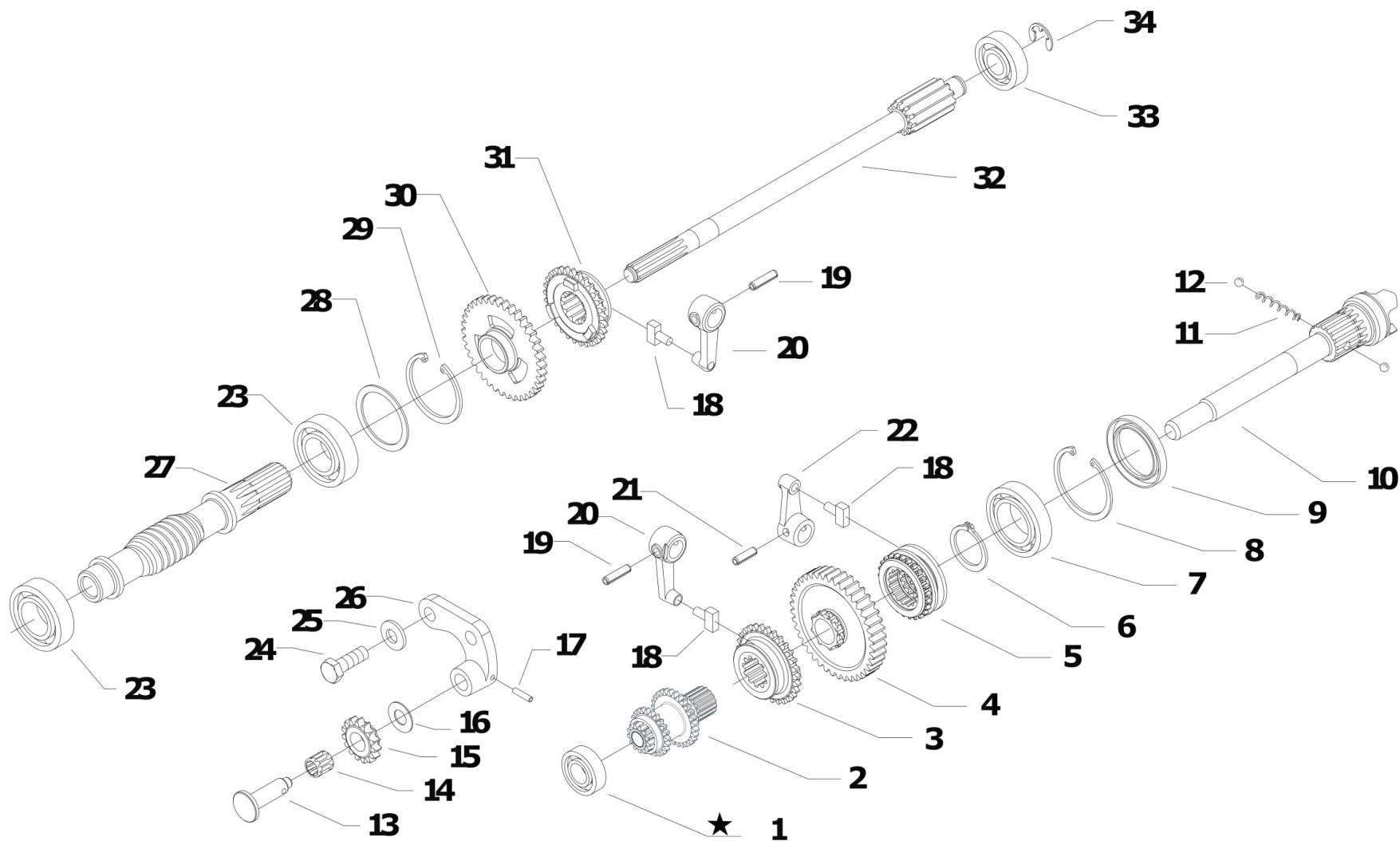
i = info - stop 2 sec. ★ = new part

Pos.	Id	Q.ty	Description	Note
1	37111150		BEARING 6202 (15X35X11)	
2	59056383		TRIPLE GEAR	
3	52456370		SLIDER	
4	59056707		GEAR	Replaces 59056365 + 52456362 from serial 863327 for 500-520-530-530S
5	52456706		PTO COUPLING	Replaces 59056365 + 52456362 from serial 863327 for 500-520-530-530S
6	35121031		SEEGER RING E 30 UNI 7436	
7	37112229		BEARING 6006 (30X55X13) SKF	
8	35111055		SEEGER RING I 55 DIN 472	
9	38213800		OIL SEAL 38X55X7	
10	52456336		PTO SHAFT L=193	
11	58056391		SPRING	
12	37910832		BALL 1/4	
13	56456736		GEAR PIN	Replaces 56456351
14	37320120		ROLLER CAGE 12X15/10	
15	56456347		GEAR	
16	56356348		ADJUSTING RING	
17	34211042		ROLL PIN	
18	58043086		SHOE	
19	34213060		ROLL PIN	
20	52456389		LEVER	
21	34213061		ROLL PIN	
22	52456390		LEVER	
23	37111250		BEARING	
23	37141250		BEARING 7205-B OBL SKF	
24	31112211		SCREW TE M10X30 UNI 5739	
25	31421101		WASHER 10 DIN 679	
26	52456349		GEAR SUPPORT	
27	56456477		SCREW 4 DS	For models 500GR-520GR-530GR
27	56456478		SCREW 2	For models 500GR-520GR-530GR



Pos.	Id	Q.ty	Description	Note
28	56356328		ADJUSTING RING SP=1,5	
28	56356329		ADJUSTING RING SP=1,6	
28	56356330		ADJUSTING RING SP=1,7	
28	56356331		ADJUSTING RING SP=1,8	
29	35111053		SEEGER RING I 52 UNI 7438	
30	52456354		GEAR	
31	52456360		SLIDER	
32	52456340		SHAFT	
33	37111152		BEARING 6302 (15X42X13) SKF	
34	35211120		SEEGER RING E 12 UNI 7434	





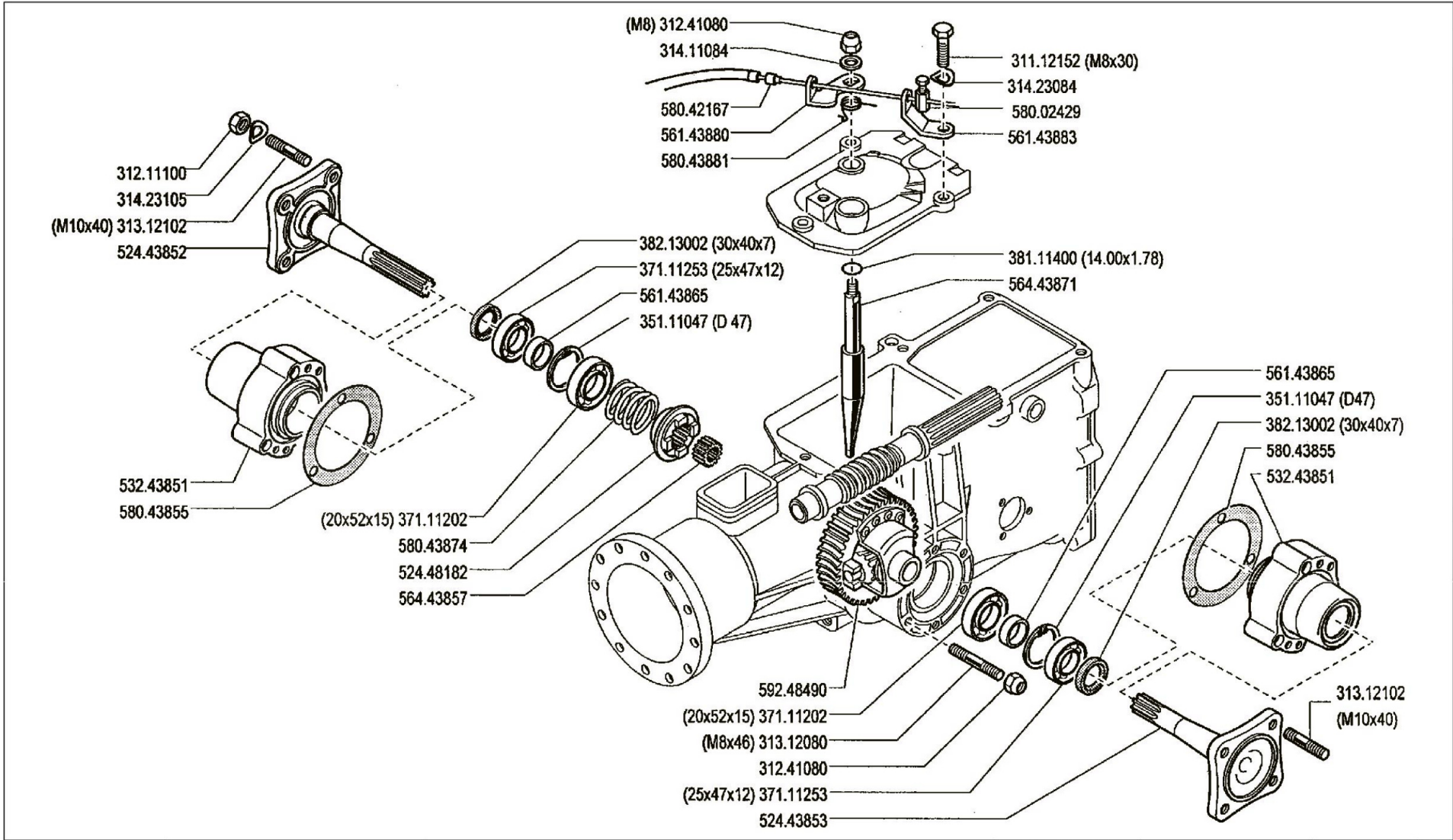
[i](#) Click for info

★ = new part

Pos.	Id	Q.ty	Description	Note
1	37111151		BEARING 6202 (15X35X11)	REPLACES 37111150
2	59056383		TRIPLE GEAR	
3	52456370		SLIDER	
4	59056707		GEAR	Replaces 59056365 + 52456362 from serial 863327 for 500-520-530-530S
5	52456706		PTO COUPLING	Replaces 59056365 + 52456362 from serial 863327 for 500-520-530-530S
6	35121031		SEEGER RING E 30 UNI 7436	
7	37112229		BEARING 6006 (30X55X13) SKF	
8	35111055		SEEGER RING I 55 DIN 472	
9	38213800		OIL SEAL 38X55X7	
10	52456336		PTO SHAFT L=193	
11	58056391		SPRING	
12	37910832		BALL 1/4	
13	56456736		GEAR PIN	Replaces 56456351
14	37320120		ROLLER CAGE 12X15/10	
15	56456347		GEAR	
16	56356348		ADJUSTING RING	
17	34211042		ROLL PIN	
18	58043086		SHOE	
19	34213060		ROLL PIN	
20	52456389		LEVER	
21	34213061		ROLL PIN	
22	52456390		LEVER	
23	37111250		BEARING	
24	31112211		SCREW TE M10X30 UNI 5739	
25	31421101		WASHER 10 DIN 679	
26	52456349		GEAR SUPPORT	
27	56456477		SCREW 4 DS	For models 500GR-520GR-530GR
27	56456478		SCREW 2	For models 500GR-520GR-530GR
28	56356328		ADJUSTING RING SP=1,5	



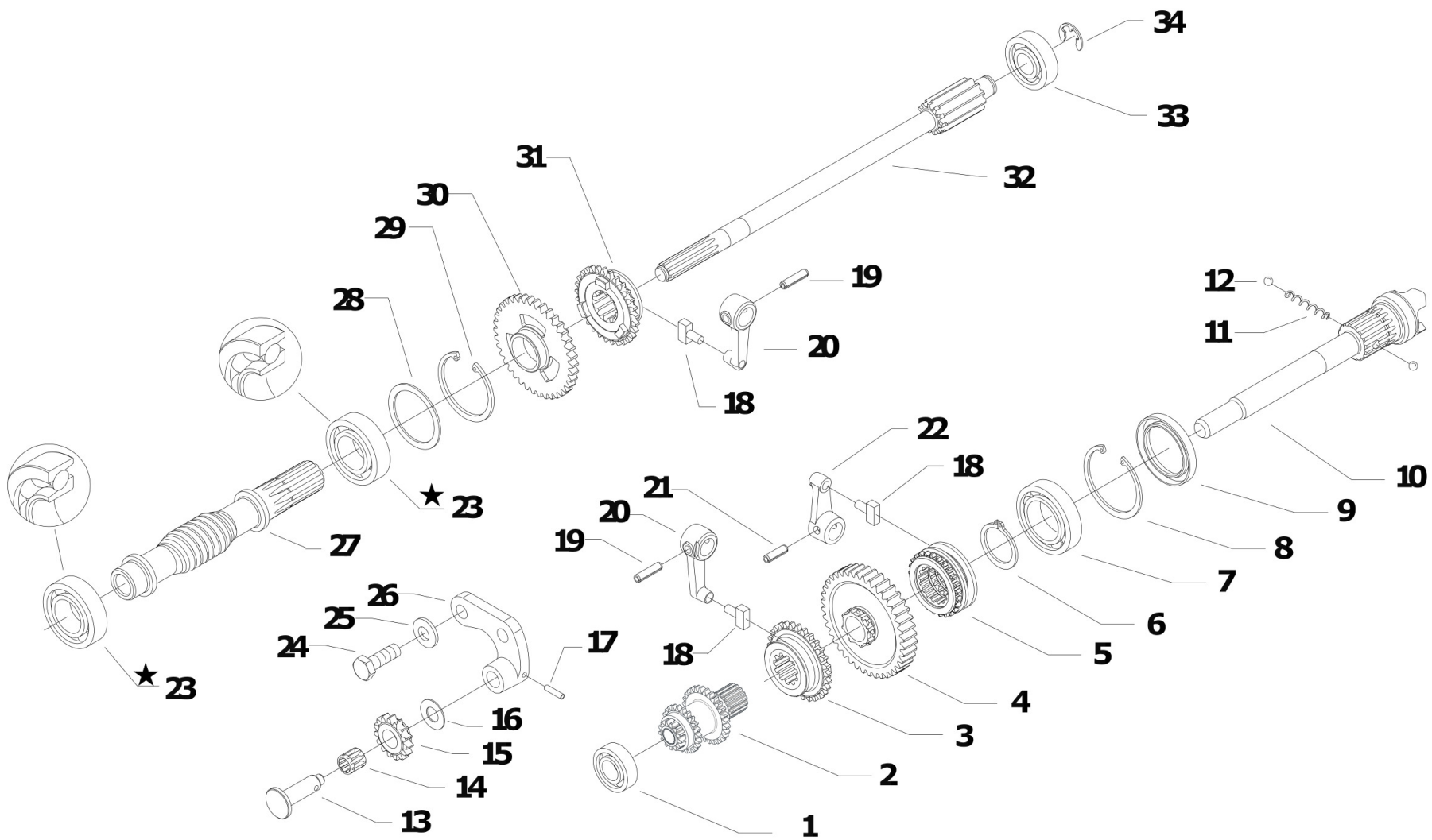
Pos.	Id	Q.ty	Description	Note
28	56356329		ADJUSTING RING SP=1,6	
28	56356330		ADJUSTING RING SP=1,7	
28	56356331		ADJUSTING RING SP=1,8	
29	35111053		SEEGER RING I 52 UNI 7438	
30	52456354		GEAR	
31	52456360		SLIDER	
32	52456340		SHAFT	
33	37111152		BEARING 6302 (15X42X13) SKF	
34	35211120		SEEGER RING E 12 UNI 7434	



	500 serie GRIFON	DIFFERENZIALE (530 GR)		DALLA MACCHINA DE LA MAQUINA DE LA MACHINE FROM THE MACHINE AB DER MASCHINE	Rev. 0
		DIFFERENTIAL DIFFERENCIAL	DIFFERENTIEL DIFFERENTIAL		
				N.	09/2004

Pos.	Id	Q.ty	Description	Note
31112152	31112152	1	SCREW TE M8X30 UNI 5739 8G	
31211100	31211100	1	NUT M10	
31241080	31241080	1	HEXAGON SELFLOCK NUT M8	
31312080	31312080	1	STUD BOLT M8X46X20X12	
31312102	31312102	1	STUD BOLT M10X40X24X12	
31411084	31411084	1	WASHER 8,4x17	
31423084	31423084	1	SPRING WASHER 8,4	
31423105	31423105	1	SPRING WASHER 10,5	
35111047	35111047	1	SEEGER RING I 47 DIN 472	
37111202	37111202	1	BEARING 6304 (20X52X15)	
37111253	37111253	1	BEARING 6005 (25X47X12)	
38111400	38111400	1	O-RING (14,00X1,78)	
38213002	38213002	1	OIL SEAL 30X40X7	
52443852	52443852	1	AXLE SHAFT	
52443853	52443853	1	AXLE SHAFT	
52448182	52448182	1	COUPLING	
53243851	53243851	1	HUB	
56143865	56143865	1	RING	
56143880	56143880	1	SMALL LEVER	
56143883	56143883	1	STOP	
56443857	56443857	1	SPACER	
56443871	56443871	1	ROD	
58002429	58002429	1	CLAMPING SCREW	
58042167	58042167	1	SHEATH END	
58043855	58043855	1	GASKET	
58043874	58043874	1	SPRING	
58043881	58043881	1	SPRING	
59248490	59248490	1	DIFFERENTIAL GEAR	





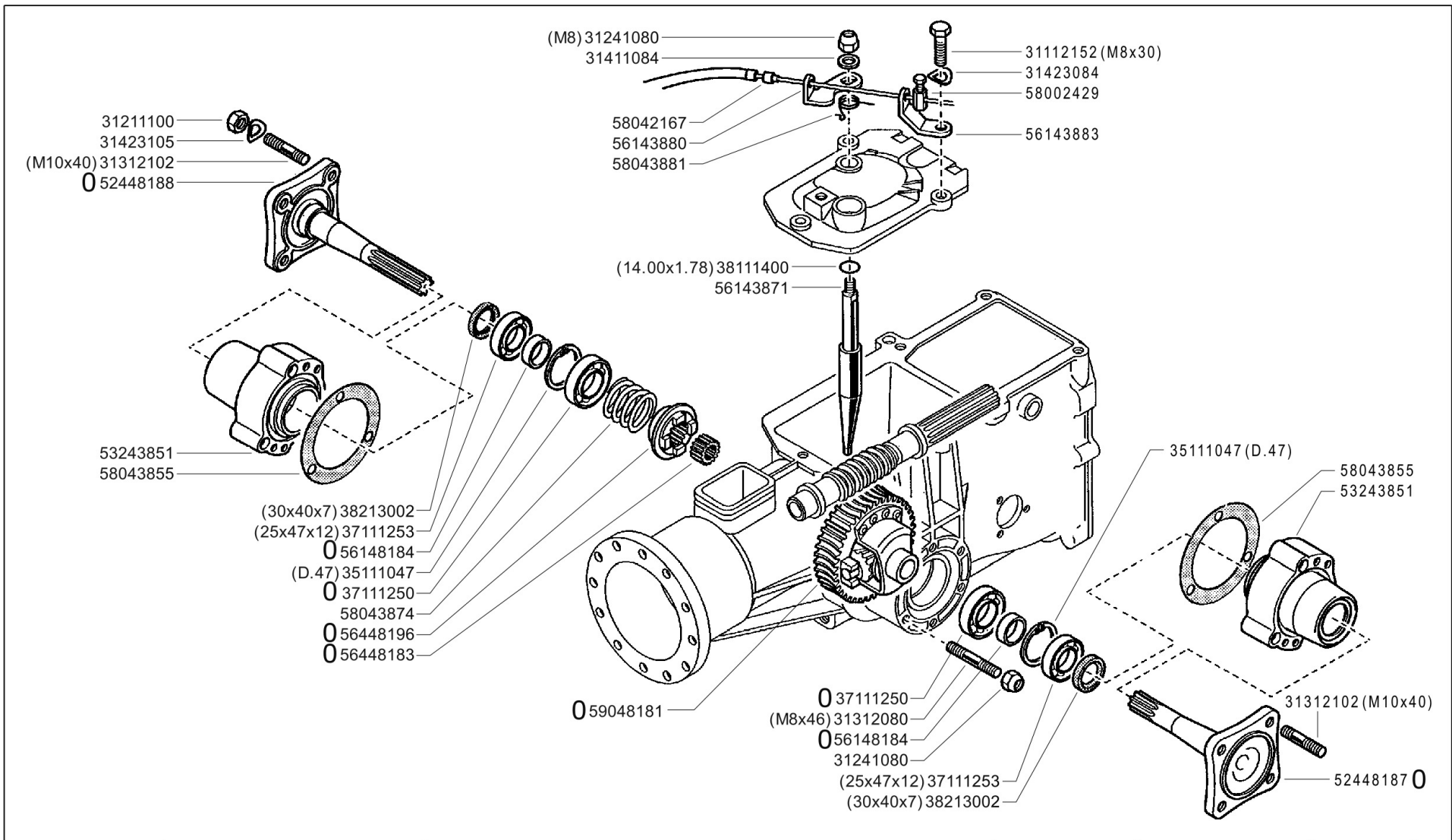
 [Click for info](#)

★ = new part

Pos.	Id	Q.ty	Description	Note
1	37111151		BEARING 6202 (15X35X11)	
2	59056383		TRIPLE GEAR	
3	52456370		SLIDER	
4	59056707		GEAR	Replaces 59056365 + 52456362 from serial 863327 for 500-520-530-530S
5	52456706		PTO COUPLING	Replaces 59056365 + 52456362 from serial 863327 for 500-520-530-530S
6	35121031		SEEGER RING E 30 UNI 7436	
7	37112229		BEARING 6006 (30X55X13) SKF	
8	35111055		SEEGER RING I 55 DIN 472	
9	38213800		OIL SEAL 38X55X7	
10	52456336		PTO SHAFT L=193	
11	58056391		SPRING	
12	37910832		BALL 1/4	
13	56456736		GEAR PIN	Replaces 56456351
14	37320120		ROLLER CAGE 12X15/10	
15	56456347		GEAR	
16	56356348		ADJUSTING RING	
17	34211042		ROLL PIN	
18	58043086		SHOE	
19	34213060		ROLL PIN	
20	52456389		LEVER	
21	34213061		ROLL PIN	
22	52456390		LEVER	
23	37141250		BEARING 7205-B OBL SKF	
24	31112211		SCREW TE M10X30 UNI 5739	
25	31421101		WASHER 10 DIN 679	
26	52456349		GEAR SUPPORT	
27	56456477		SCREW 4 DS	For models 500GR-520GR-530GR
27	56456478		SCREW 2	For models 500GR-520GR-530GR
28	56356328		ADJUSTING RING SP=1,5	



Pos.	Id	Q.ty	Description	Note
28	56356329		ADJUSTING RING SP=1,6	
28	56356330		ADJUSTING RING SP=1,7	
28	56356331		ADJUSTING RING SP=1,8	
29	35111053		SEEGER RING I 52 UNI 7438	
30	52456354		GEAR	
31	52456360		SLIDER	
32	52456340		SHAFT	
33	37111152		BEARING 6302 (15X42X13) SKF	
34	35211120		SEEGER RING E 12 UNI 7434	

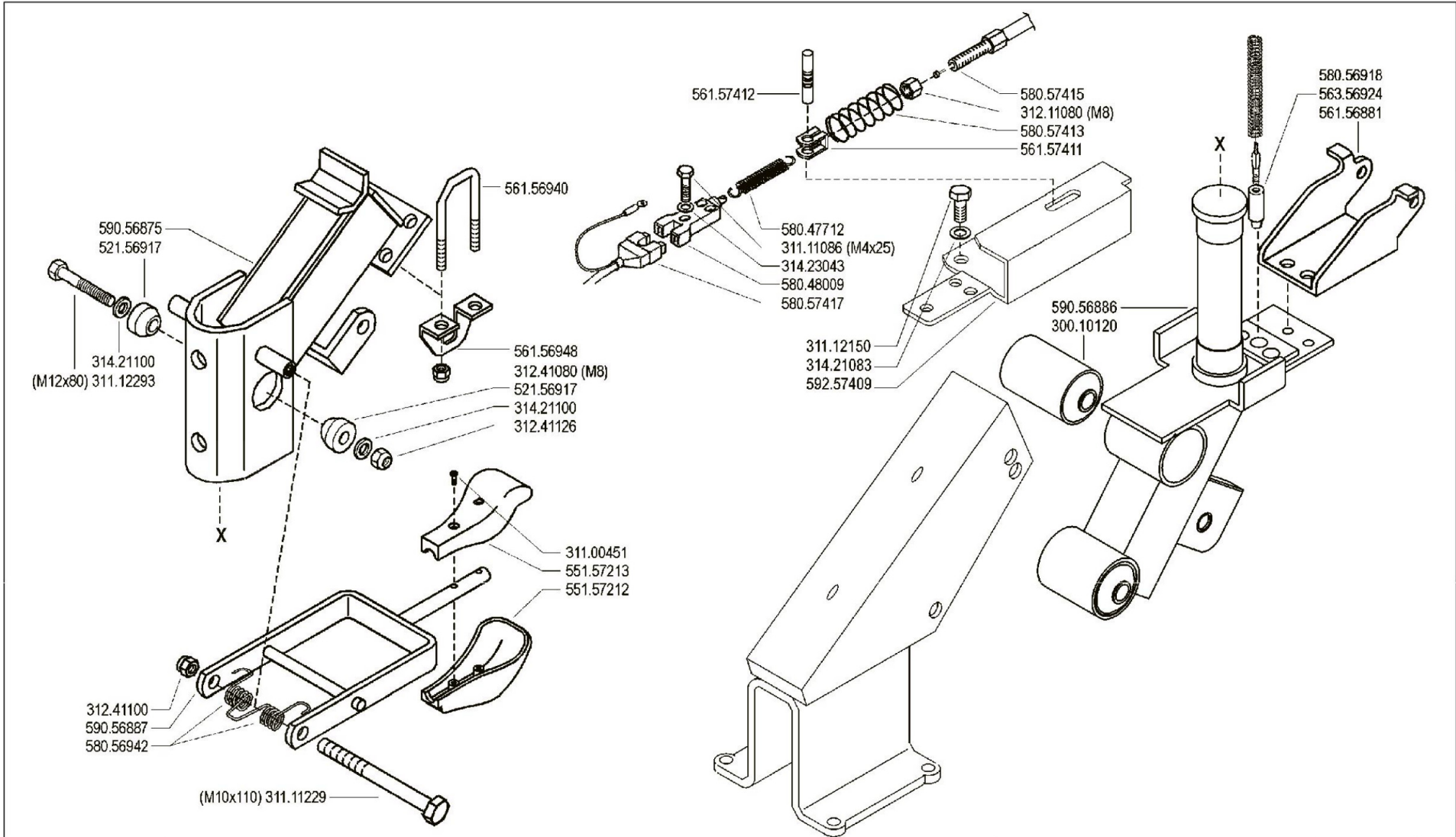


	500 serie GRIFON	DIFFERENZIALE (530GR)		DALLA MACCHINA DE LA MAQUINA DE LA MACHINE FROM THE MACHINE AB DER MASCHINE ON.	872014	G02	Rev. 1
		DIFFERENTIAL DIFFERENCIAL	DIFFERENTIEL DIFFERENTIAL			01/2011	ZENE



Pos.	Id	Q.ty	Description	Note
31112152	31112152	1	SCREW TE M8X30 UNI 5739 8G	
31211100	31211100	1	NUT M10	
31241080	31241080	1	HEXAGON SELFLOCK NUT M8	
31312080	31312080	1	STUD BOLT M8X46X20X12	
31312102	31312102	1	STUD BOLT M10X40X24X12	
31411084	31411084	1	WASHER 8,4x17	
31423084	31423084	1	SPRING WASHER 8,4	
31423105	31423105	1	SPRING WASHER 10,5	
35111047	35111047	1	SEEGER RING I 47 DIN 472	
37111250	37111250	1	BEARING	
37111253	37111253	1	BEARING 6005 (25X47X12)	
38111400	38111400	1	O-RING (14,00X1,78)	
38213002	38213002	1	OIL SEAL 30X40X7	
52448187	52448187	1	AXLE SHAFT	
52448188	52448188	1	AXLE SHAFT	
53243851	53243851	1	HUB	
56143880	56143880	1	SMALL LEVER	
56143883	56143883	1	STOP	
56148184	56148184	1	RING	
56443871	56443871	1	ROD	
56448183	56448183	1	SPACER	
56448196	56448196	1	COUPLING	
58002429	58002429	1	CLAMPING SCREW	
58042167	58042167	1	SHEATH END	
58043855	58043855	1	GASKET	
58043874	58043874	1	SPRING	
58043881	58043881	1	SPRING	
59048181	59048181	1	DIFFERENTIAL GEAR	





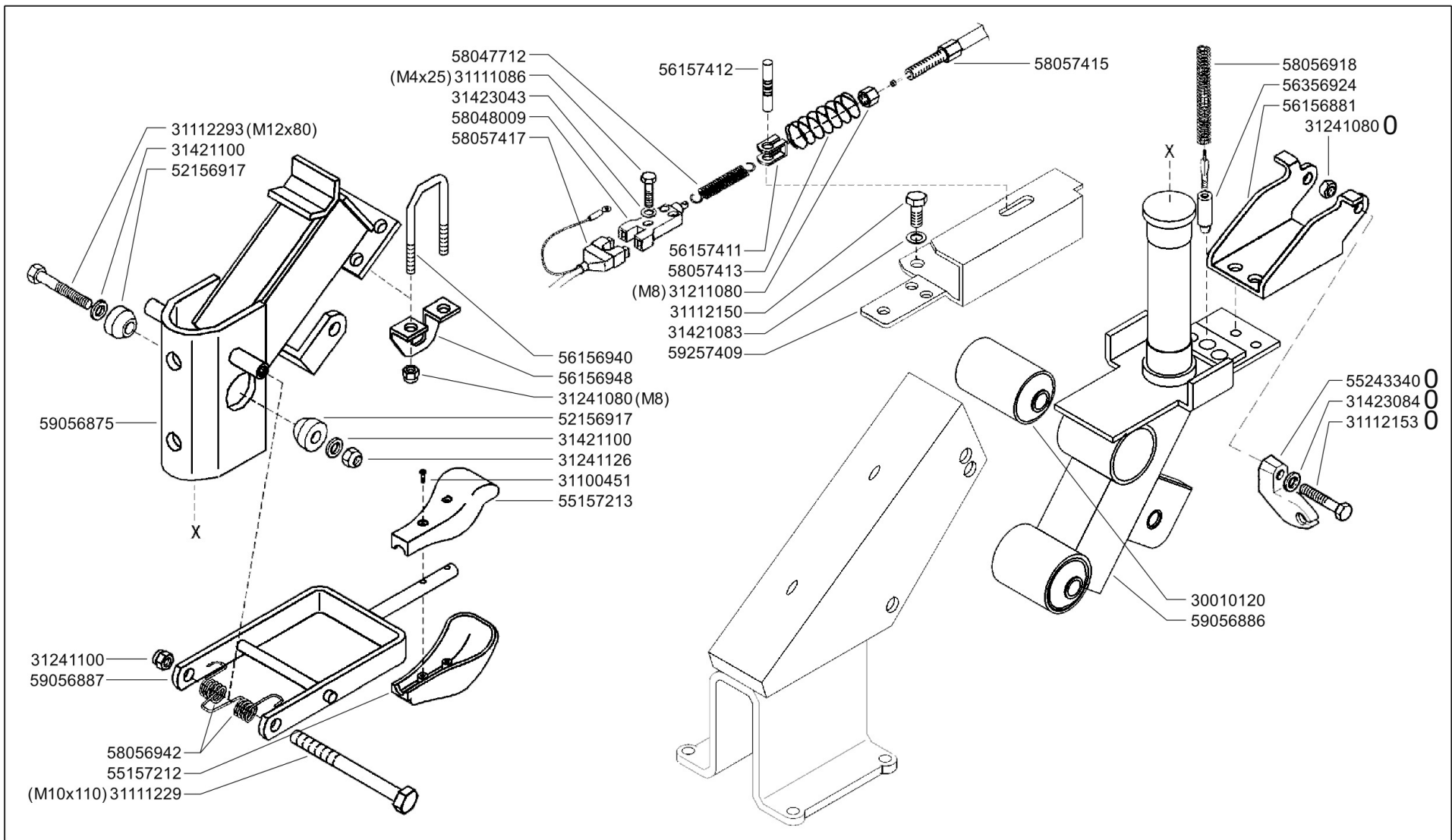
	500 serie GRIFON	PIANTONE (520 GR - 530 GR - 530S GR - S MUSTER)		DALLA MACCHINA DE LA MAQUINA DE LA MACHINE FROM THE MACHINE AB DER MASCHINE	Rev.
		STEERING COLUMN COLUMNA PLANTON LENKSÄULE	N.		H02
					09/2004

Pos.	Id	Q.ty	Description	Note
30010120	30010120	1	SILENT-BLOCK 12X40X58X66	
31100451	31100451	1	SCREW 3,5X25	
31111086	31111086	1	SCREW TE M4X25 UNI 5739 8G	
31111229	31111229	1	SCREW TE M10X110 UNI 5737 8G	
31112150	31112150	1	SCREW TE M8X20 UNI 5739 8G	
31112293	31112293	1	SCREW TE M12X80 UNI 5737	
31211080	31211080	1	NUT M8	
31241080	31241080	1	HEXAGON SELFLOCK NUT M8	
31241100	31241100	1	SELFLOCK HEXAGON NUT M10	
31241126	31241126	1	SELFLOCK NUT M12	
31421083	31421083	1	WASHER	
31421100	31421100	1	CUP SPRING 25X12,2X1,5 D2093	
31423043	31423043	1	SPRING WASHER 4,3	
52156917	52156917	1	WEDGE	
55157212	55157212	1	GRIP	
55157213	55157213	1	GRIP	
56156881	56156881	1	CONNECTION	
56156940	56156940	1	U BOLT	
56156948	56156948	1	STOP	
56157411	56157411	1	FORK	
56157412	56157412	1	PIN	
56356924	56356924	1	FERRULE	
58047712	58047712	1	SPRING	
58048009	58048009	1	ENGINE STOP SWITCH	
58056918	58056918	1	SPRING	
58056942	58056942	1	SPRING	
58057413	58057413	1	RETAINING SPRING	
58057415	58057415	1	LINE AND SHEATH M/S L=940 MF/04	
58057417	58057417	1	WIRING MOT/STOP L=950	



Pos.	Id	Q.ty	Description	Note
59056875	59056875	1	COLUMN	
59056886	59056886	1	COLUMN	
59056887	59056887	1	LEVER	
59257409	59257409	1	SUPPORT	





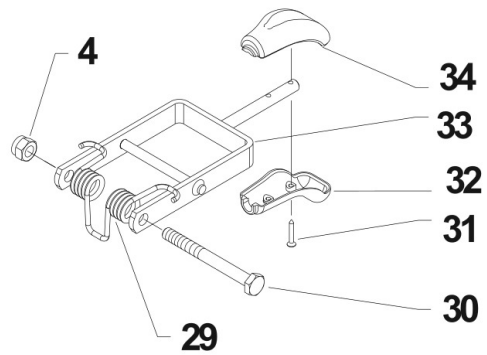
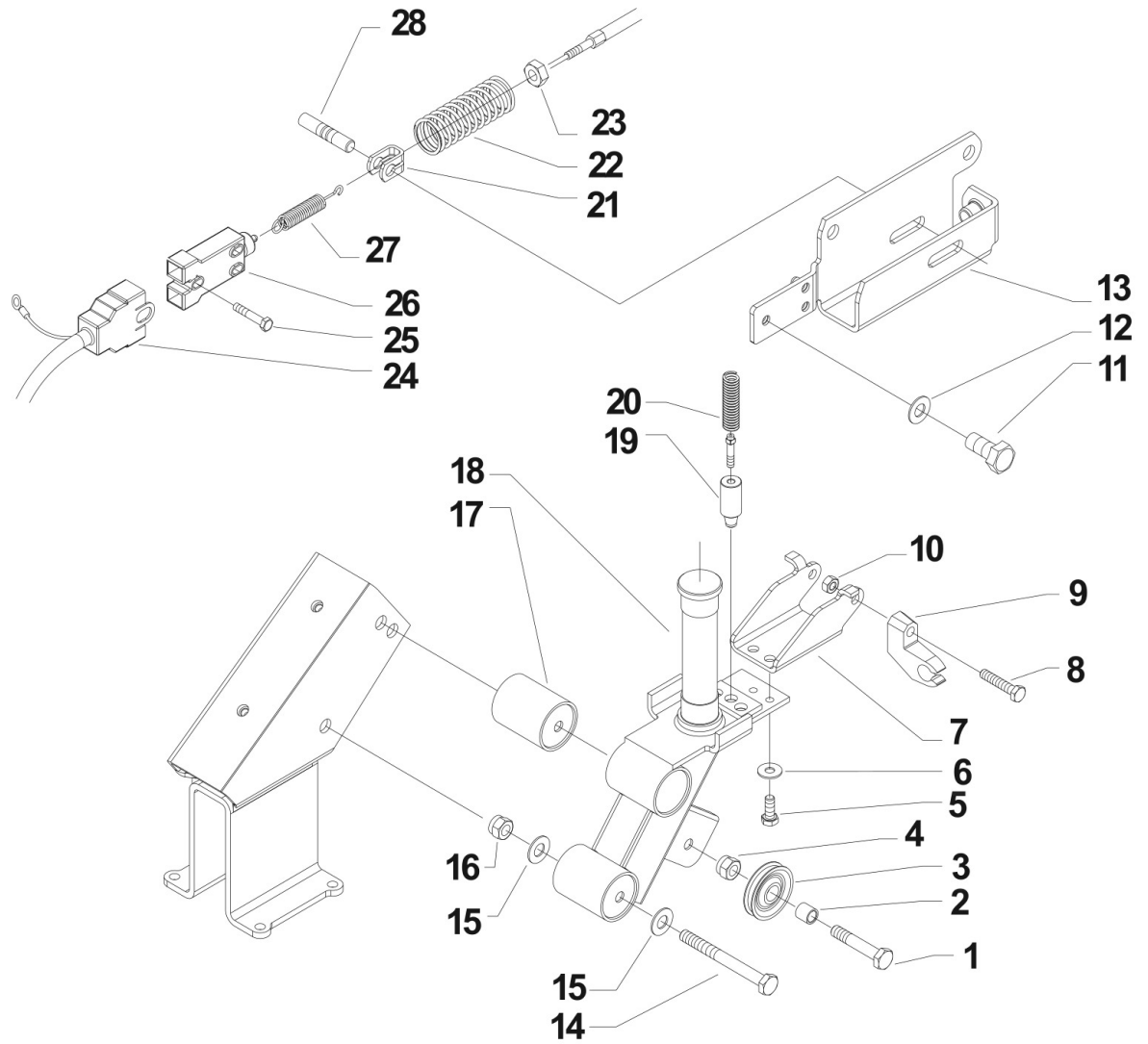
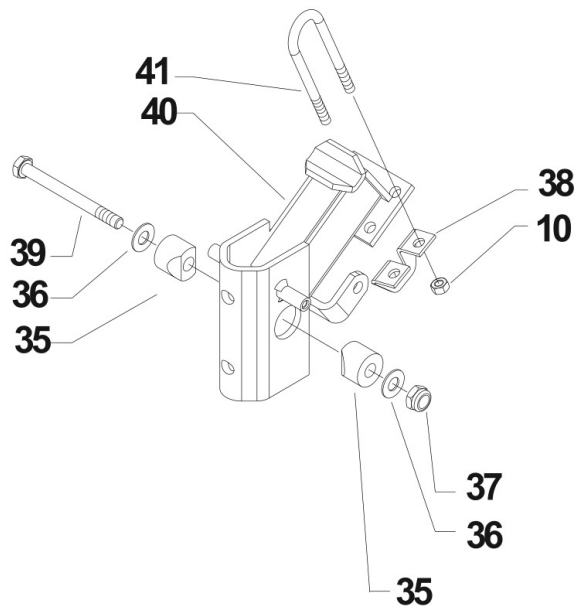
	500 serie GRIFON	PIANTONE (520GR - 530GR - 530S GR - S MUSTER) STEERING COLUMN COLUMNNA PLANTON LENKSÄULE	DALLA MACCHINA DE LA MAQUINA DE LA MACHINE FROM THE MACHINE AB DER MASCHINE ON.	ERRATA CORRIGE	Rev.
					H02 1 10/2004

Pos.	Id	Q.ty	Description	Note
30010120	30010120	1	SILENT-BLOCK 12X40X58X66	
31100451	31100451	1	SCREW 3,5X25	
31111086	31111086	1	SCREW TE M4X25 UNI 5739 8G	
31111229	31111229	1	SCREW TE M10X110 UNI 5737 8G	
31112150	31112150	1	SCREW TE M8X20 UNI 5739 8G	
31112153	31112153	1	SCREW TE M8X35 UNI 5739 8G	
31112293	31112293	1	SCREW TE M12X80 UNI 5737	
31211080	31211080	1	NUT M8	
31241080	31241080	1	HEXAGON SELFLOCK NUT M8	
31241100	31241100	1	SELFLOCK HEXAGON NUT M10	
31241126	31241126	1	SELFLOCK NUT M12	
31421083	31421083	1	WASHER	
31421100	31421100	1	CUP SPRING 25X12,2X1,5 D2093	
31423043	31423043	1	SPRING WASHER 4,3	
31423084	31423084	1	SPRING WASHER 8,4	
52156917	52156917	1	WEDGE	
55157212	55157212	1	GRIP	
55157213	55157213	1	GRIP	
55243340	55243340	1	SUPPORT	
56156881	56156881	1	CONNECTION	
56156940	56156940	1	U BOLT	
56156948	56156948	1	STOP	
56157411	56157411	1	FORK	
56157412	56157412	1	PIN	
56356924	56356924	1	FERRULE	
58047712	58047712	1	SPRING	
58048009	58048009	1	ENGINE STOP SWITCH	
58056918	58056918	1	SPRING	
58056942	58056942	1	SPRING	



Pos.	Id	Q.ty	Description	Note
58057413	58057413	1	RETAINING SPRING	
58057415	58057415	1	LINE AND SHEATH M/S L=940 MF/04	
58057417	58057417	1	WIRING MOT/STOP L=950	
59056875	59056875	1	COLUMN	
59056886	59056886	1	COLUMN	
59056887	59056887	1	LEVER	
59257409	59257409	1	SUPPORT	



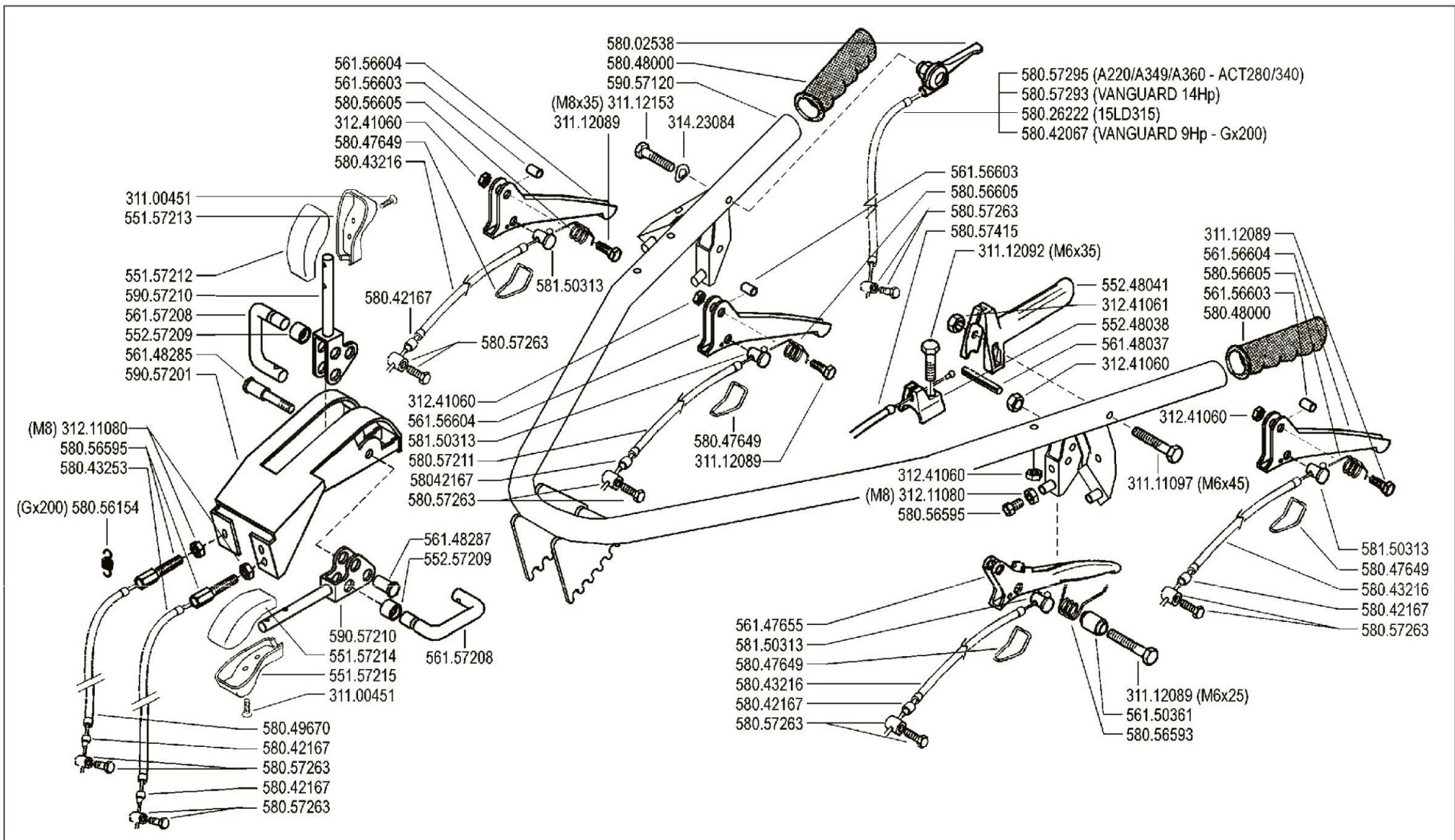


Pos.	Id	Q.ty	Description	Note
1	31112211	1	SCREW TE M10X30 UNI 5739	
2	56120364	1	SLEEVE	
3	55220363	1	PULLEY BRAKE	
4	31241100	1	SELFLOCK HEXAGON NUT M10	
5	31112093	1	SCREW TE M6X20	
6	31422064	1	SPRING WASHER 6,4	
7	59256880	1	CONNECTION	
8	31112165	1	SCREW TE C/F M8X35 DIN 6921 8G	
9	55243340	1	SUPPORT	
10	31241080	1	HEXAGON SELFLOCK NUT M8	
11	31112150	1	SCREW TE M8X20 UNI 5739 8G	
12	31421083	1	WASHER	
13	59257409	1	SUPPORT	
14	31112295	1	SCREW TE M12X90 UNI 5737	
15	31423130	1	SPRING WASHER EL 13 DIN 137-B	
16	31241121	1	SELFLOCK NUT M12	
17	30010120	1	SILENT-BLOCK 12X40X58X66	
18	59056886	1	COLUMN	
19	56356924	1	FERRULE	
20	58056918Z	1	SPRING	
21	56157411Z	1	FORK	
22	58057413	1	RETAINING SPRING	
23	31211080	1	NUT M8	
24	58057417	1	WIRING MOT/STOP L=950	
25	31121024	1	SCREW TBCEI FL.M4X25	
26	58048009	1	ENGINE STOP SWITCH	
27	58047712	1	SPRING	
28	56157412	1	PIN	
29	58056942N	1	SPRING	



Pos.	Id	Q.ty	Description	Note
30	31111229	1	SCREW TE M10X110 UNI 5737 8G	
31	31100451	1	SCREW 3,5X25	
32	55157213	1	GRIP	
33	59057010N	1	LEVER	
34	55157212	1	GRIP	
35	52156917	1	WEDGE	
36	31421100Z	1	CUP SPRING 25X12,2X1,5 D2093	
37	31241126	1	SELFLOCK NUT M12	
38	56156948N	1	STOP	
39	31112293	1	SCREW TE M12X80 UNI 5737	
40	59056875N	1	COLUMN	
41	56156940	1	U BOLT	





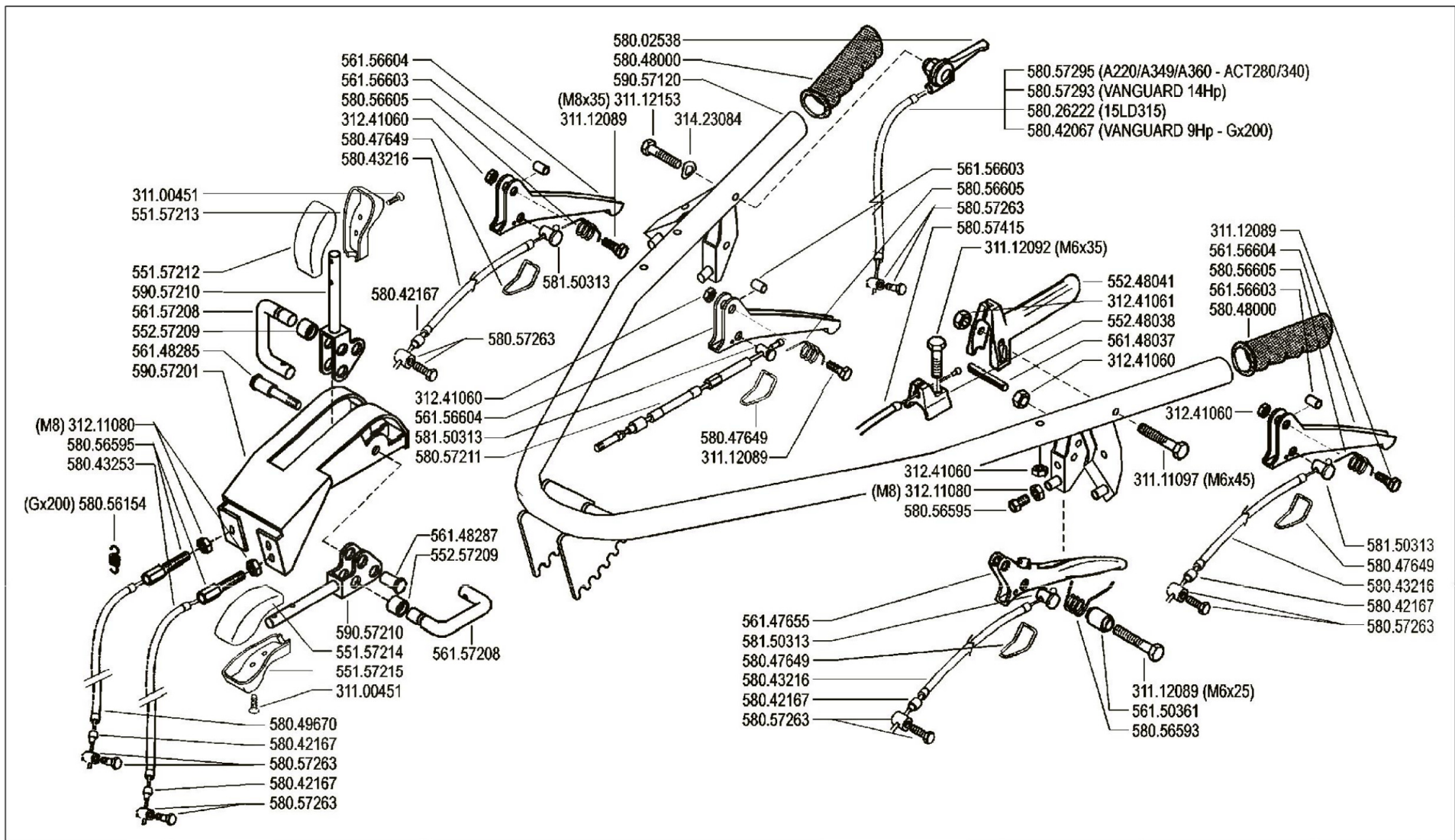
	500 serie GRIFON	MANUBRIO (530 GR) HANDLEBAR MANILLAR	MANCHERON LENKER	DALLA MACCHINA DE LA MAQUINA FROM THE MACHINE AB DER MASCHINE	I03	Rev. 0
				N.		09/2004

Pos.	Id	Q.ty	Description	Note
31100451	31100451	1	SCREW 3,5X25	
31111097	31111097	1	SCREW TE M6X45 UNI 5737 8G	
31112089	31112089	1	SCREW TE M6X25 UNI 5739 8G	
31112092	31112092	1	SCREW TE M6X35 UNI 5739 8G	
31112153	31112153	1	SCREW TE M8X35 UNI 5739 8G	
31211080	31211080	1	NUT M8	
31241060	31241060	1	HEXAGON SELFLOCK NUT M6	
31241061	31241061	1	SELFLOCK NUT M6 6S	
31423084	31423084	1	SPRING WASHER 8,4	
55157212	55157212	1	GRIP	
55157213	55157213	1	GRIP	
55157214	55157214	1	GRIP	
55157215	55157215	1	GRIP	
55248038	55248038	1	STOP	
55248041	55248041	1	LEVER	
55257209	55257209	1	BUSHING	
56147655	56147655	1	CLUTCH LEVER	
56148037	56148037	1	LEVER STOP	
56148285	56148285	1	PIN	
56148287	56148287	1	STUD BOLT	
56150361	56150361	1	SPACER	
56156603	56156603	1	SPACER	
56156604	56156604	1	CLUTCH LEVER	
56157208	56157208	1	U BOLT	
58002538	58002538	1	ACCELERATOR	
58026222	58026222	1	LINE AND SHEATH (L=1380)	
58042067	58042067	1	LINE AND SHEATH (L=1710)	
58042167	58042167	1	SHEATH END	
58043216	58043216	1	LINE AND SHEATH (L=1160)	



Pos.	Id	Q.ty	Description	Note
58043253	58043253	1	LINE AND SHEATH (L=1200)	
58047649	58047649	1	CLEVIS	
58048000	58048000	1	KNOB D=27	
58049670	58049670	1	LINE AND SHEATH (L=1080)	
58056154	58056154	1	RESTORING SPRING	
58056593	58056593	1	SPRING	
58056595	58056595	1	ADJUSTING SCREW M8	
58056605	58056605	1	SPRING	
58057211	58057211	1	TRANSMISSION	
58057263	58057263	1	CLAMPING SCREW	
58057293	58057293	1	LINE AND SHEATH (L=1310)	
58057295	58057295	1	LINE AND SHEATH (L=1170)	
58057415	58057415	1	LINE AND SHEATH M/S L=940 MF/04	
58150313	58150313	1	CABLE CLAMP	
59057120	59057120	1	COMPLETE HANDLE BAR	
59057201	59057201	1	SUPPORT	
59057210	59057210	1	COMMAND LEVER	





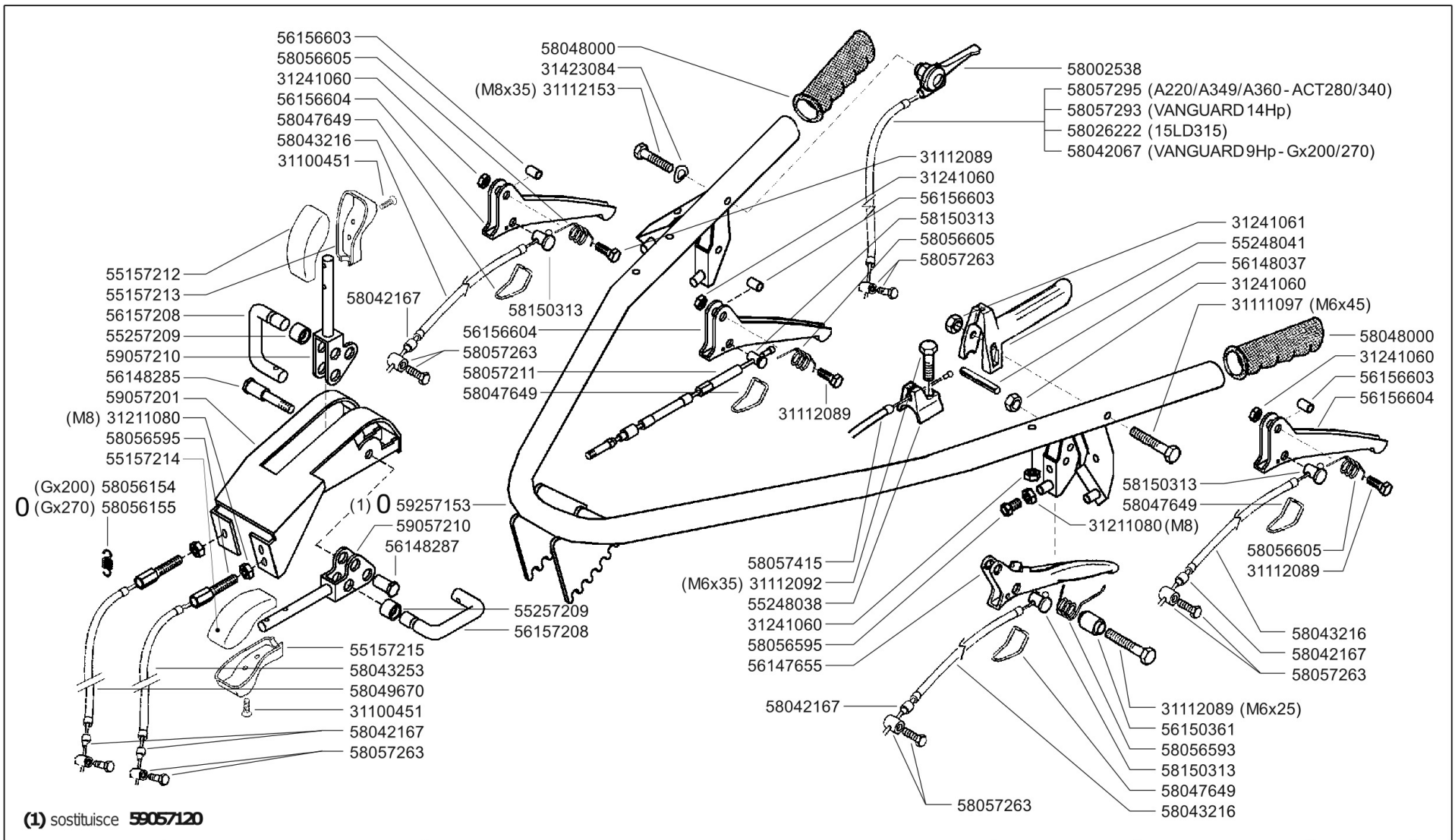
	500 serie GRIFON	MANUBRIO (530 GR) HANDLEBAR MANILLAR	DALLA MACCHINA DE LA MAQUINA DE LA MACHINE FROM THE MACHINE AB DER MASCHINE N.	ERRATA CORRIGE	I03 10/2004	Rev.
						1

Pos.	Id	Q.ty	Description	Note
31100451	31100451		SCREW 3,5X25	
31111097	31111097		SCREW TE M6X45 UNI 5737 8G	
31112089	31112089		SCREW TE M6X25 UNI 5739 8G	
31112092	31112092		SCREW TE M6X35 UNI 5739 8G	
31112153	31112153		SCREW TE M8X35 UNI 5739 8G	
31211080	31211080		NUT M8	
31241060	31241060		HEXAGON SELFLOCK NUT M6	
31241061	31241061		SELFLOCK NUT M6 6S	
31423084	31423084		SPRING WASHER 8,4	
55157212	55157212		GRIP	
55157213	55157213		GRIP	
55157214	55157214		GRIP	
55157215	55157215		GRIP	
55248038	55248038		STOP	
55248041	55248041		LEVER	
55257209	55257209		BUSHING	
56147655	56147655		CLUTCH LEVER	
56148037	56148037		LEVER STOP	
56148285	56148285		PIN	
56148287	56148287		STUD BOLT	
56150361	56150361		SPACER	
56156603	56156603		SPACER	
56156604	56156604		CLUTCH LEVER	
56157208	56157208		U BOLT	
58002538	58002538		ACCELERATOR	
58026222	58026222		LINE AND SHEATH (L=1380)	
58042067	58042067		LINE AND SHEATH (L=1710)	
58043216	58043216		LINE AND SHEATH (L=1160)	
58043253	58043253		LINE AND SHEATH (L=1200)	



Pos.	Id	Q.ty	Description	Note
58047649	58047649		CLEVIS	
58048000	58048000		KNOB D=27	
58049670	58049670		LINE AND SHEATH (L=1080)	
58056154	58056154		RESTORING SPRING	
58056593	58056593		SPRING	
58056595	58056595		ADJUSTING SCREW M8	
58056605	58056605		SPRING	
58057211	58057211		TRANSMISSION	
58057293	58057293		LINE AND SHEATH (L=1310)	
58057295	58057295		LINE AND SHEATH (L=1170)	
58057415	58057415		LINE AND SHEATH M/S L=940 MF/04	
58150313	58150313		CABLE CLAMP	
59057120	59057120		COMPLETE HANDLE BAR	
59057201	59057201		SUPPORT	
59057210	59057210		COMMAND LEVER	





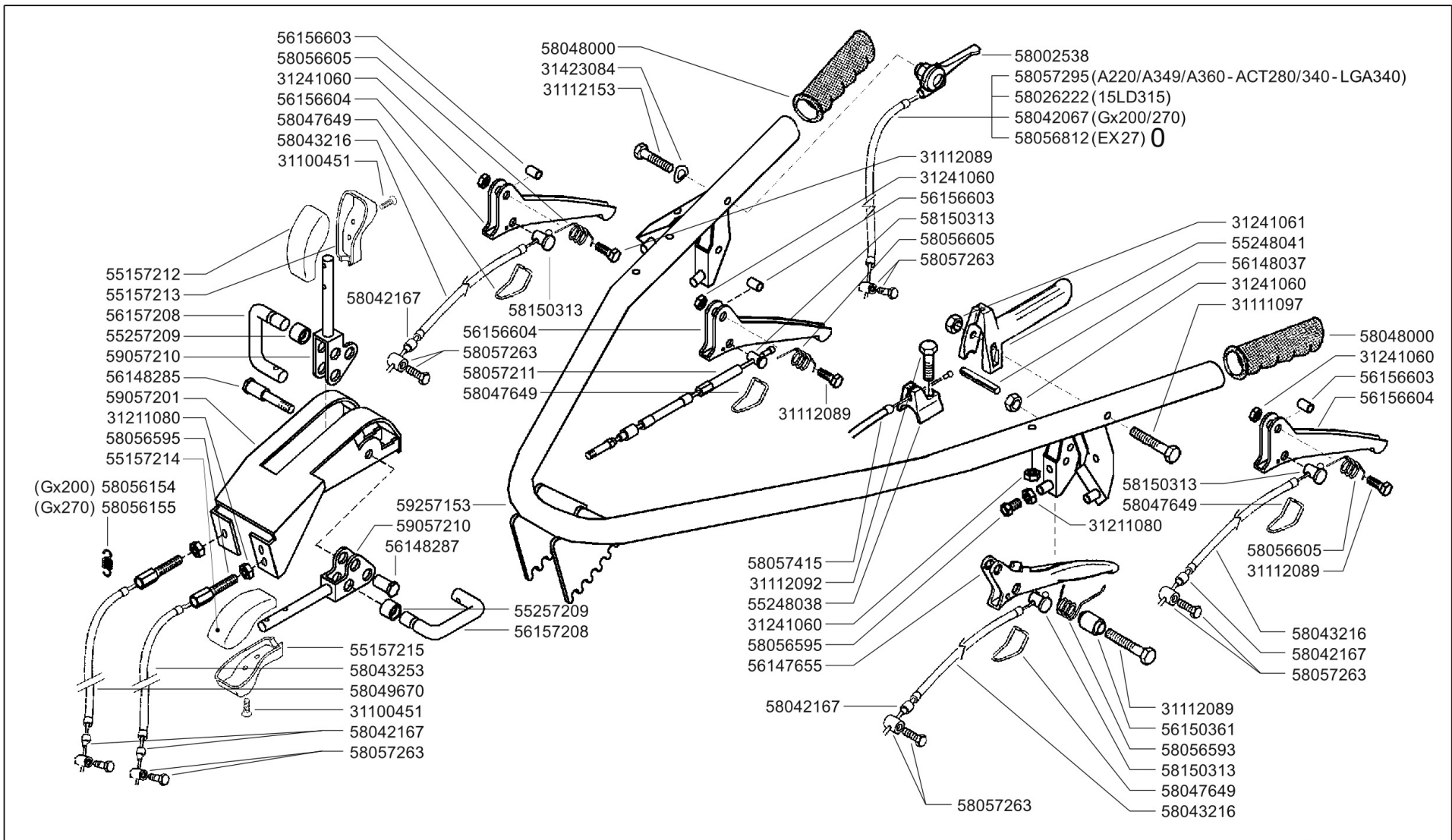
	500 serie GRIFON	MANUBRIO (530 GR) HANDLEBAR MANILLAR	MANCHERON LENKER	DALLA MACCHINA DE LA MAQUINA DE LA MACHINE FROM THE MACHINE AB DER MASCHINE ON.	AGGIORNAMENTO	103	Rev.
					REVISION		2
					MISE A JOUR		
					APLAZAMIENTO		
					ANPASSUNG		
					07/2006		

Pos.	Id	Q.ty	Description	Note
31100451	31100451	1	SCREW 3,5X25	
31111097	31111097	1	SCREW TE M6X45 UNI 5737 8G	
31112089	31112089	1	SCREW TE M6X25 UNI 5739 8G	
31112092	31112092	1	SCREW TE M6X35 UNI 5739 8G	
31112153	31112153	1	SCREW TE M8X35 UNI 5739 8G	
31211080	31211080	1	NUT M8	
31241060	31241060	1	HEXAGON SELFLOCK NUT M6	
31241061	31241061	1	SELFLOCK NUT M6 6S	
31423084	31423084	1	SPRING WASHER 8,4	
55157212	55157212	1	GRIP	
55157213	55157213	1	GRIP	
55157214	55157214	1	GRIP	
55157215	55157215	1	GRIP	
55248038	55248038	1	STOP	
55248041	55248041	1	LEVER	
55257209	55257209	1	BUSHING	
56147655	56147655	1	CLUTCH LEVER	
56148037	56148037	1	LEVER STOP	
56148285	56148285	1	PIN	
56148287	56148287	1	STUD BOLT	
56150361	56150361	1	SPACER	
56156603	56156603	1	SPACER	
56156604	56156604	1	CLUTCH LEVER	
56157208	56157208	1	U BOLT	
58002538	58002538	1	ACCELERATOR	
58026222	58026222	1	LINE AND SHEATH (L=1380)	
58042067	58042067	1	LINE AND SHEATH (L=1710)	
58043216	58043216	1	LINE AND SHEATH (L=1160)	
58043253	58043253	1	LINE AND SHEATH (L=1200)	



Pos.	Id	Q.ty	Description	Note
58047649	58047649	1	CLEVIS	
58048000	58048000	1	KNOB D=27	
58049670	58049670	1	LINE AND SHEATH (L=1080)	
58056154	58056154	1	RESTORING SPRING	
58056155	58056155	1	RESTORING SPRING	
58056593	58056593	1	SPRING	
58056595	58056595	1	ADJUSTING SCREW M8	
58056605	58056605	1	SPRING	
58057211	58057211	1	TRANSMISSION	
58057293	58057293	1	LINE AND SHEATH (L=1310)	
58057295	58057295	1	LINE AND SHEATH (L=1170)	
58057415	58057415	1	LINE AND SHEATH M/S L=940 MF/04	
58150313	58150313	1	CABLE CLAMP	
59057201	59057201	1	SUPPORT	
59057210	59057210	1	COMMAND LEVER	
59257153	59257153	1	HANDLE BAR	





FERRARI	500 serie GRIFON	MANUBRIO (530 GR) HANDLEBAR MANILLAR	MANCHERON LENKER	DALLA MACCHINA DE LA MAQUINA FROM THE MACHINE AB DER MASCHINE	AGGIORNAMENTO	103	Rev.
					REVISION		3
					MISE A JOUR		
					APLAZAMIENTO		
					ANPASSUNG		
ON.				03/2010			

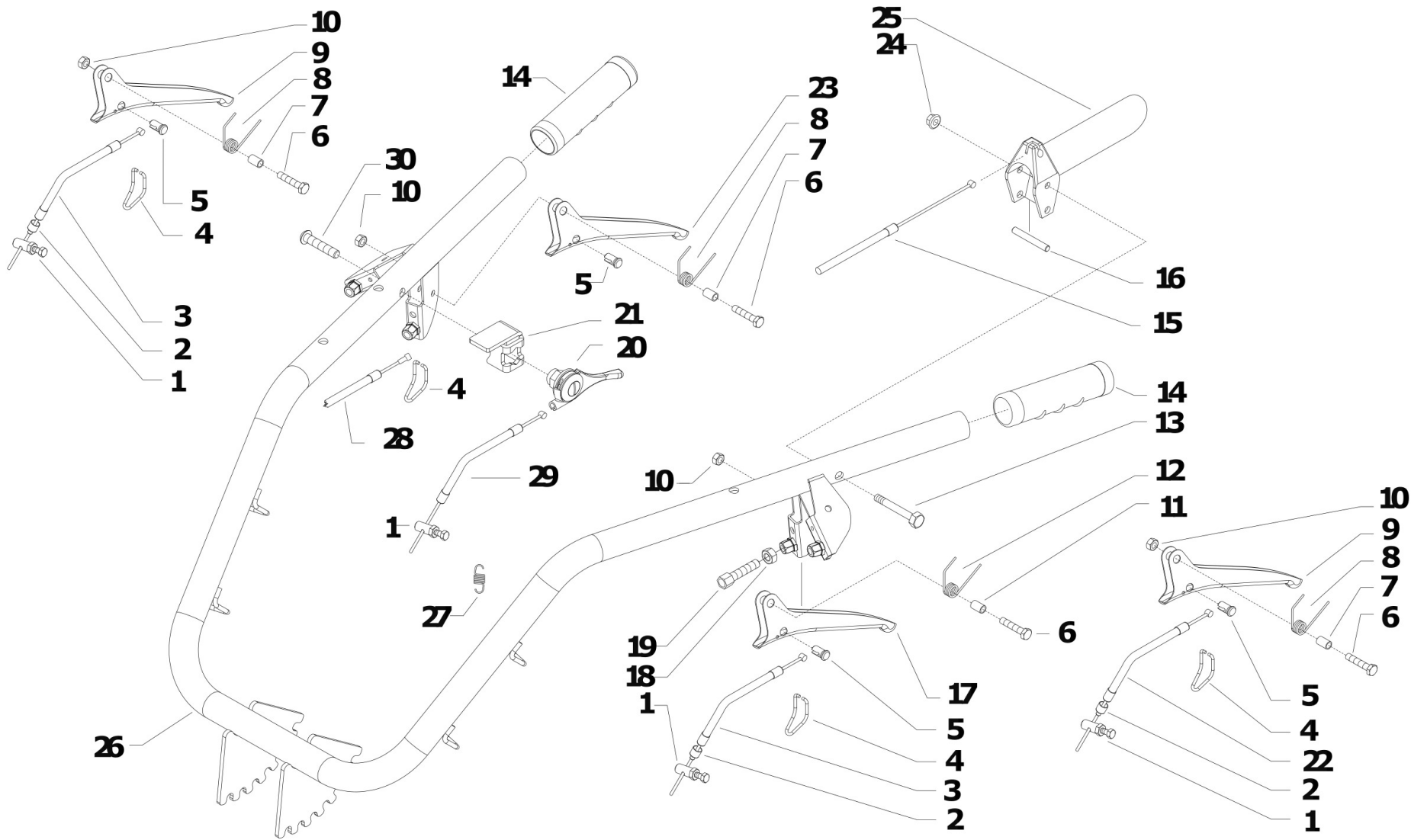


Pos.	Id	Q.ty	Description	Note
31100451	31100451	1	SCREW 3,5X25	
31111097	31111097	1	SCREW TE M6X45 UNI 5737 8G	
31112089	31112089	1	SCREW TE M6X25 UNI 5739 8G	
31112092	31112092	1	SCREW TE M6X35 UNI 5739 8G	
31112153	31112153	1	SCREW TE M8X35 UNI 5739 8G	
31211080	31211080	1	NUT M8	
31241060	31241060	1	HEXAGON SELFLOCK NUT M6	
31241061	31241061	1	SELFLOCK NUT M6 6S	
31423084	31423084	1	SPRING WASHER 8,4	
55157212	55157212	1	GRIP	
55157213	55157213	1	GRIP	
55157214	55157214	1	GRIP	
55157215	55157215	1	GRIP	
55248038	55248038	1	STOP	
55248041	55248041	1	LEVER	
55257209	55257209	1	BUSHING	
56147655	56147655	1	CLUTCH LEVER	
56148037	56148037	1	LEVER STOP	
56148285	56148285	1	PIN	
56148287	56148287	1	STUD BOLT	
56150361	56150361	1	SPACER	
56156603	56156603	1	SPACER	
56156604	56156604	1	CLUTCH LEVER	
56157208	56157208	1	U BOLT	
58002538	58002538	1	ACCELERATOR	
58026222	58026222	1	LINE AND SHEATH (L=1380)	
58042067	58042067	1	LINE AND SHEATH (L=1710)	
58043216	58043216	1	LINE AND SHEATH (L=1160)	
58043253	58043253	1	LINE AND SHEATH (L=1200)	



Pos.	Id	Q.ty	Description	Note
58047649	58047649	1	CLEVIS	
58048000	58048000	1	KNOB D=27	
58049670	58049670	1	LINE AND SHEATH (L=1080)	
58056154	58056154	1	RESTORING SPRING	
58056155	58056155	1	RESTORING SPRING	
58056593	58056593	1	SPRING	
58056595	58056595	1	ADJUSTING SCREW M8	
58056605	58056605	1	SPRING	
58056812	58056812	1	LINE AND SHEATH L=1680	
58057211	58057211	1	TRANSMISSION	
58057293	58057293	1	LINE AND SHEATH (L=1310)	
58057295	58057295	1	LINE AND SHEATH (L=1170)	
58057415	58057415	1	LINE AND SHEATH M/S L=940 MF/04	
58150313	58150313	1	CABLE CLAMP	
59057201	59057201	1	SUPPORT	
59057210	59057210	1	COMMAND LEVER	
59257153	59257153	1	HANDLE BAR	



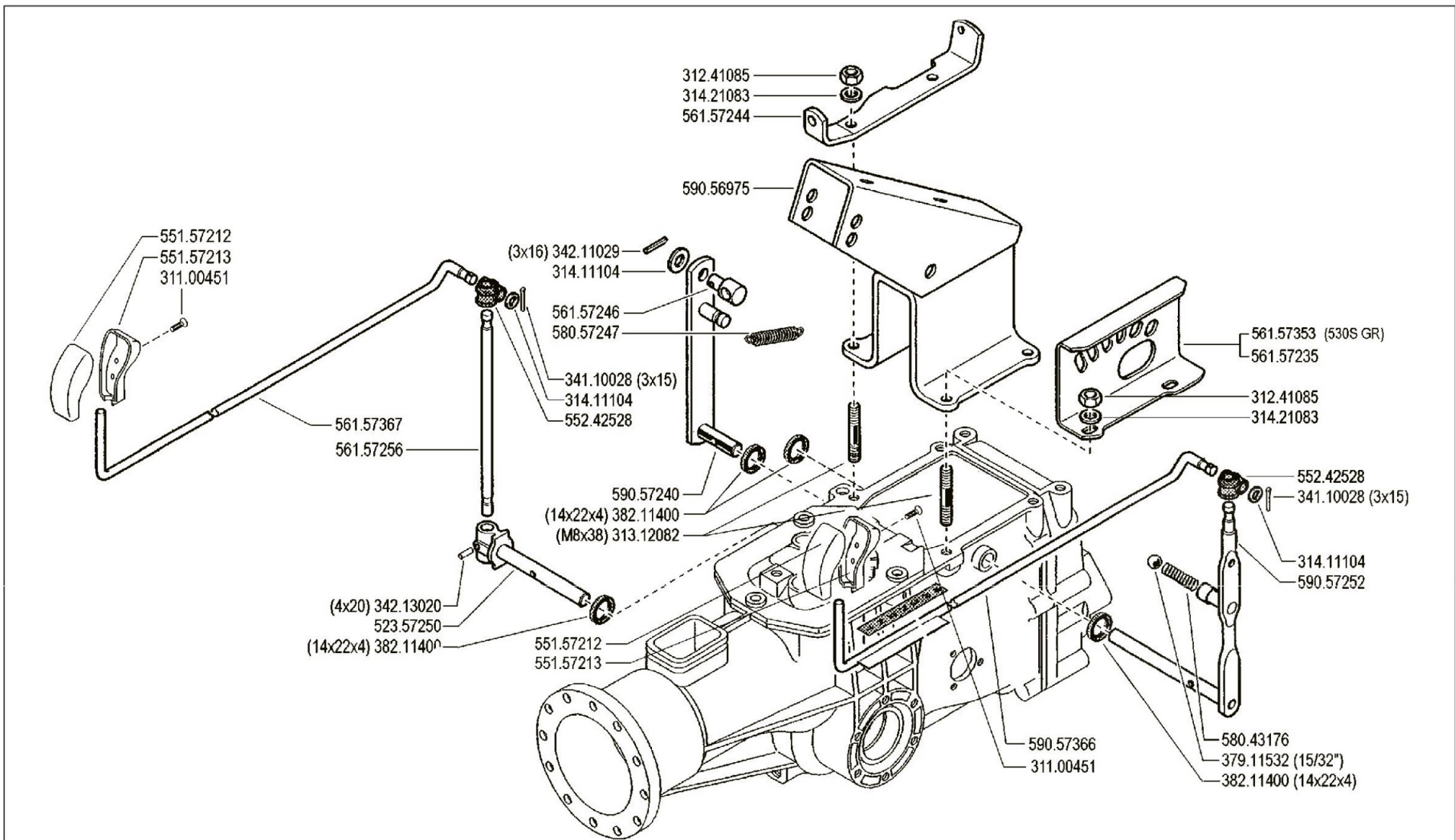


Pos.	Id	Q.ty	Description	Note
1	58057263	1	CLAMPING SCREW	
2	58042167	1	SHEATH END	
3	58043216	1	LINE AND SHEATH (L=1160)	
4	58047649	1	CLEVIS	
5	58150313	1	CABLE CLAMP	
6	31112089	1	SCREW TE M6X25 UNI 5739 8G	
7	56156603Z	1	SPACER	
8	58056605	1	SPRING	
9	56156604	1	CLUTCH LEVER	
10	31241060	1	HEXAGON SELFLOCK NUT M6	
11	56150361	1	SPACER	
12	58056593	1	SPRING	
13	31111097	1	SCREW TE M6X45 UNI 5737 8G	
14	58048000	1	KNOB D=27	
15	58048005	1	LINE AND SHEATH (L=1170)	For diesel engines
15	58057407	1	LINE AND SHEATH M/S L=945 /10	
16	56148037	1	LEVER STOP	
17	56147655N	1	CLUTCH LEVER	
18	31211080	1	NUT M8	
19	58056595	1	ADJUSTING SCREW M8	
20	58002538	1	ACCELERATOR	
21	56156874N	1	PANEL	
22	58057357	1	LINE AND SHEATH L=940	
23	56156604N	1	CLUTCH LEVER	
24	31241061	1	SELFLOCK NUT M6 6S	
25	55248041	1	LEVER	
26	59257166	1	HANDLE BAR	
27	58056154	1	RESTORING SPRING	For the engine GX200
27	58056155	1	RESTORING SPRING	For the engine GX270



Pos.	Id	Q.ty	Description	Note
28	58057211	1	TRANSMISSION	
29	58056812	1	LINE AND SHEATH L=1680	For the engine EX27 - GX200/270
29	58057342	1	LINE AND SHEATH (L=1470)	For the engine 15LD
30	31121020	1	SCREW TBCEI M8X40 ISO7380 10K Z	

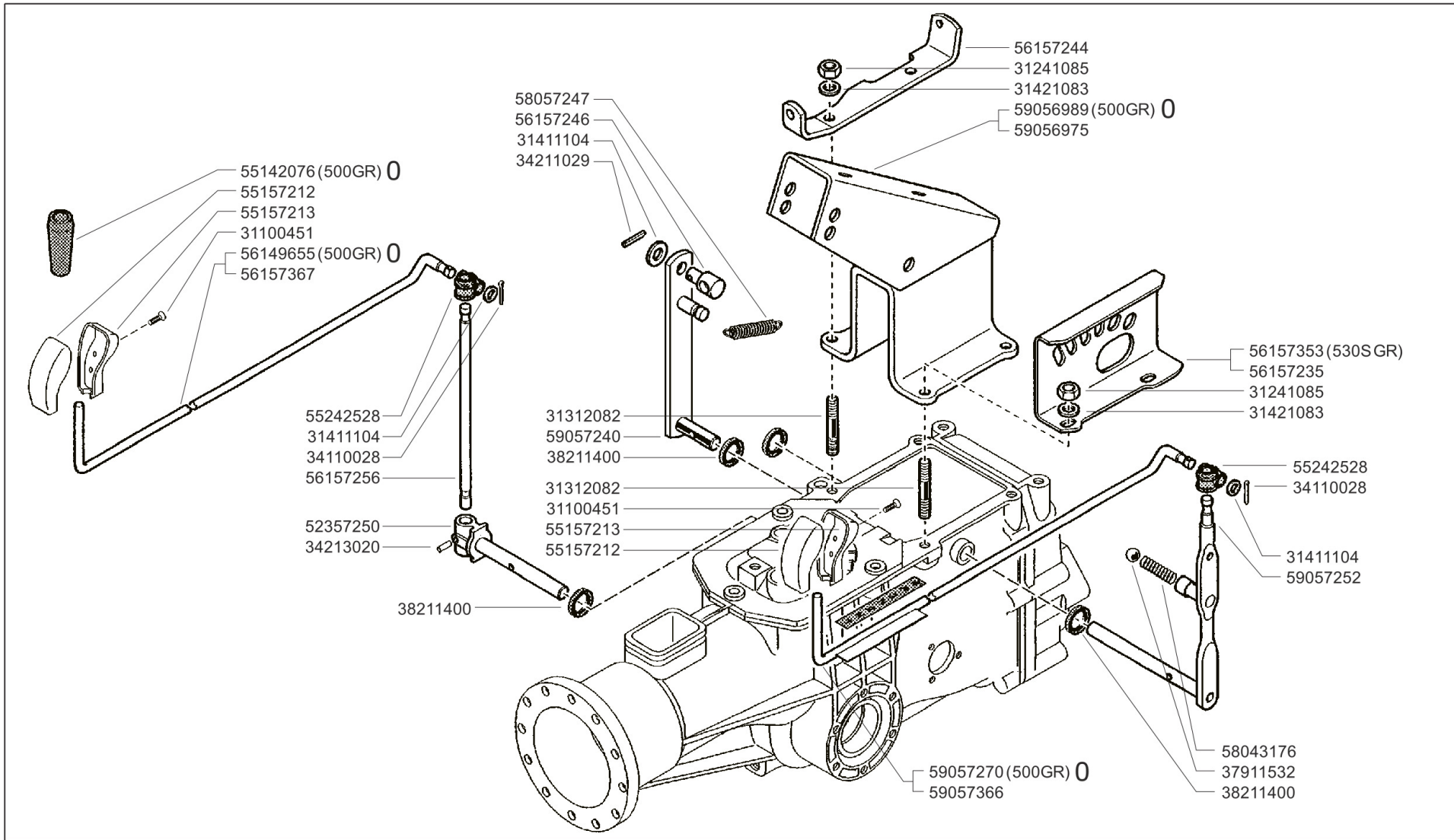




	500 serie GRIFON	COMANDI (520 GR - 530 GR - 530S GR - S MUSTER)		DALLA MACCHINA DE LA MAQUINA FROM THE MACHINE AB DER MASCHINE	Rev. 0
		CONTROLS MANDOS	COMMANDES ANTRIEBE		

Pos.	Id	Q.ty	Description	Note
31100451	31100451	1	SCREW 3,5X25	
31241085	31241085	1	SELFLOCK NUT M8 6S	
31312082	31312082	1	STUD BOLT M8X38X14X20	
31411104	31411104	1	WASHER 10,5x18	
31421083	31421083	1	WASHER	
34110028	34110028	1	SPLIT PIN A3X15 UNI 1336	
34211029	34211029	1	ROLL PIN	
34213020	34213020	1	ROLL PIN	
37911532	37911532	1	BALL 15/32	
38211400	38211400	1	OIL SEAL 14X22X4	
52357250	52357250	1	PIN	
55157212	55157212	1	GRIP	
55157213	55157213	1	GRIP	
55242528	55242528	1	JOINT	
56157235	56157235	1	GEAR SELECTOR	
56157244	56157244	1	STOP	
56157246	56157246	1	STOP	
56157256	56157256	1	PTO LEVER	
56157353	56157353	1	GEAR SELECTOR	
56157367	56157367	1	ROD	
58043176	58043176	1	SPRING	
58057247	58057247	1	SPRING	
59056975	59056975	1	SUPPORT	
59057240	59057240	1	LEVER	
59057252	59057252	1	GEAR LEVER	
59057366	59057366	1	PULL ROD	





FERRARI	500 serie GRIFON	COMANDI		DALLA MACCHINA DE LA MAQUINA DE LA MACHINE FROM THE MACHINE AB DER MASCHINE 0 N.	AGGIORNAMENTO	J02	Rev.
		(500GR 0 - 520GR - 530GR - 530S GR - SMUSTER)			REVISION		1
		CONTROLS	COMMANDES		MISE A JOUR		06/2006
		MANDOS	ANTRIEBE		APLAZAMIENTO		
					ANPASSUNG		

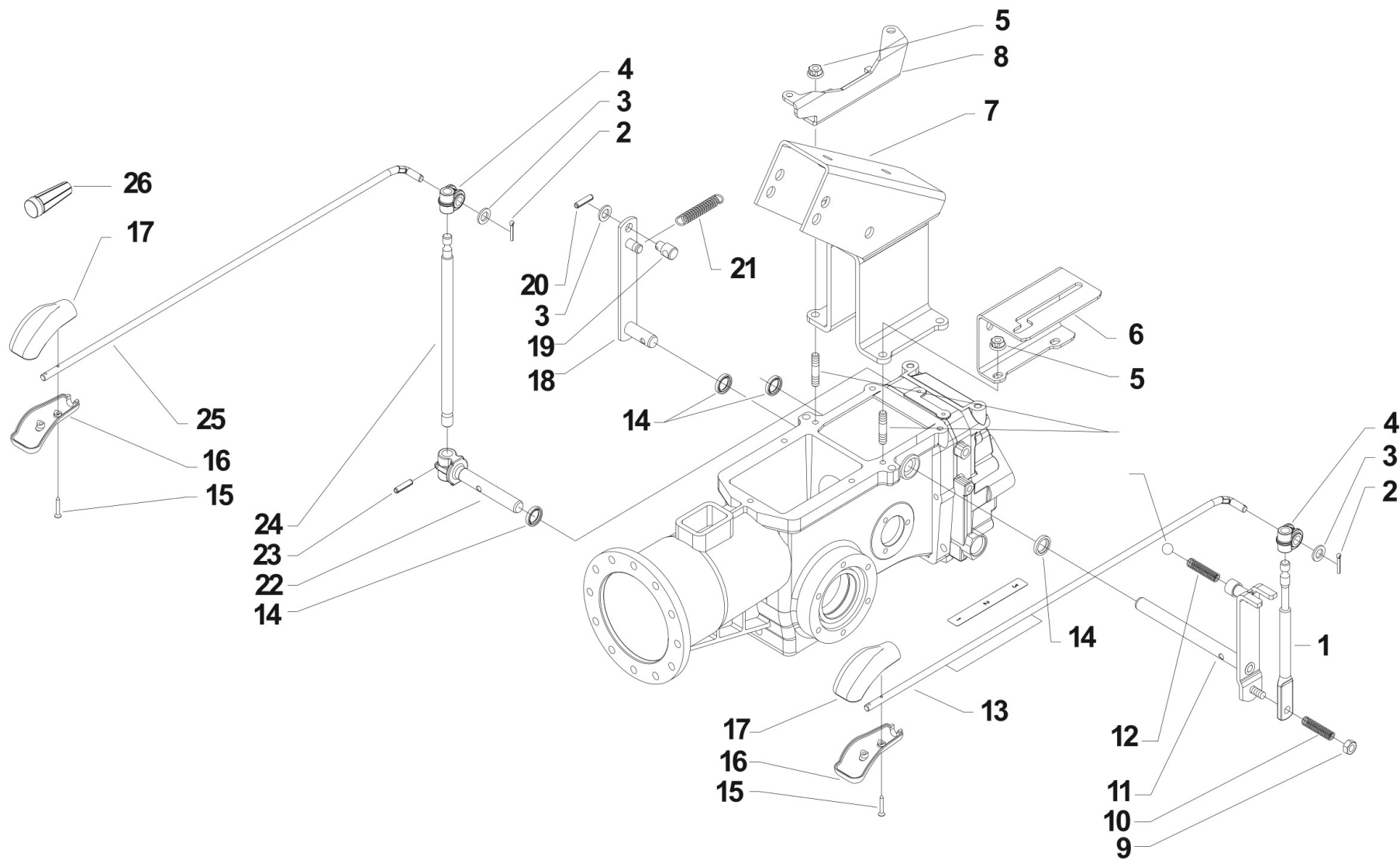


Pos.	Id	Q.ty	Description	Note
31100451	31100451	1	SCREW 3,5X25	
31241085	31241085	1	SELFLOCK NUT M8 6S	
31312082	31312082	1	STUD BOLT M8X38X14X20	
31411104	31411104	1	WASHER 10,5x18	
31421083	31421083	1	WASHER	
34110028	34110028	1	SPLIT PIN A3X15 UNI 1336	
34211029	34211029	1	ROLL PIN	
34213020	34213020	1	ROLL PIN	
37911532	37911532	1	BALL 15/32	
38211400	38211400	1	OIL SEAL 14X22X4	
52357250	52357250	1	PIN	
55142076	55142076	1	KNOB	
55157212	55157212	1	GRIP	
55157213	55157213	1	GRIP	
55242528	55242528	1	JOINT	
56149655	56149655	1	PULL ROD	
56157235	56157235	1	GEAR SELECTOR	
56157244	56157244	1	STOP	
56157246	56157246	1	STOP	
56157256	56157256	1	PTO LEVER	
56157353	56157353	1	GEAR SELECTOR	
56157367	56157367	1	ROD	
58043176	58043176	1	SPRING	
58057247	58057247	1	SPRING	
59056975	59056975	1	SUPPORT	
59056989	59056989	1	SUPPORT	
59057240	59057240	1	LEVER	
59057252	59057252	1	GEAR LEVER	
59057270	59057270	1	GEARSHIFT ROD	



Pos.	Id	Q.ty	Description	Note
59057366	59057366	1	PULL ROD	



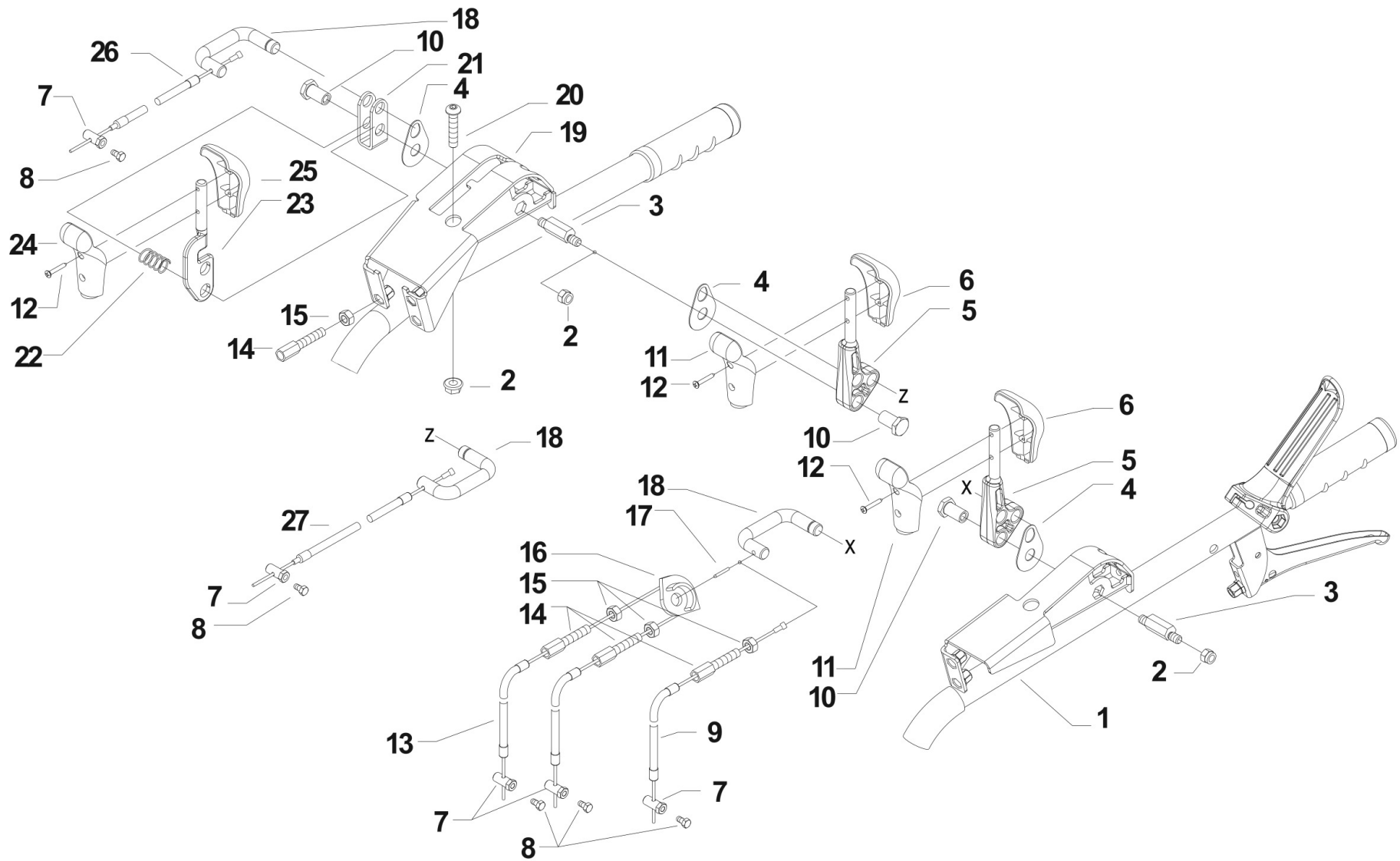


Pos.	Id	Q.ty	Description	Note
1	56157271N	1	COMMAND LEVER	
2	34110028	1	SPLIT PIN A3X15 UNI 1336	
3	31411104	1	WASHER 10,5x18	
4	55242528	1	JOINT	
5	31241084	1	SELFLOCK NUT M8 6S	
6	56157424H	1	GEARS SELECTOR	
6	56157432H	1	SPEED SELECTOR	For Model 530S GR
7	59056975	1	SUPPORT	
7	59056989	1	SUPPORT	For the model 500GR
8	56157429N	1	CONTRASTO LEVA INVERTITORE MF	
9	31241080	1	HEXAGON SELFLOCK NUT M8	
10	58057232Z	1	SPRING	
11	59057430N	1	COMPLETE GEAR LEVER	
12	58043176	1	SPRING	
13	59057270	1	GEARSHIFT ROD	For the model 500GR
13	59057366	1	PULL ROD	
14	38211400	1	OIL SEAL 14X22X4	
15	31100451	1	SCREW 3,5X25	
16	55157213	1	GRIP	
17	55157212	1	GRIP	
18	59057240	1	LEVER	
19	56157246	1	STOP	
20	34211029	1	ROLL PIN	
21	58057247	1	SPRING	
22	52357250	1	PIN	
23	34213020	1	ROLL PIN	
24	56157256	1	PTO LEVER	
25	56149655	1	PULL ROD	For the model 500GR
25	56157367	1	ROD	



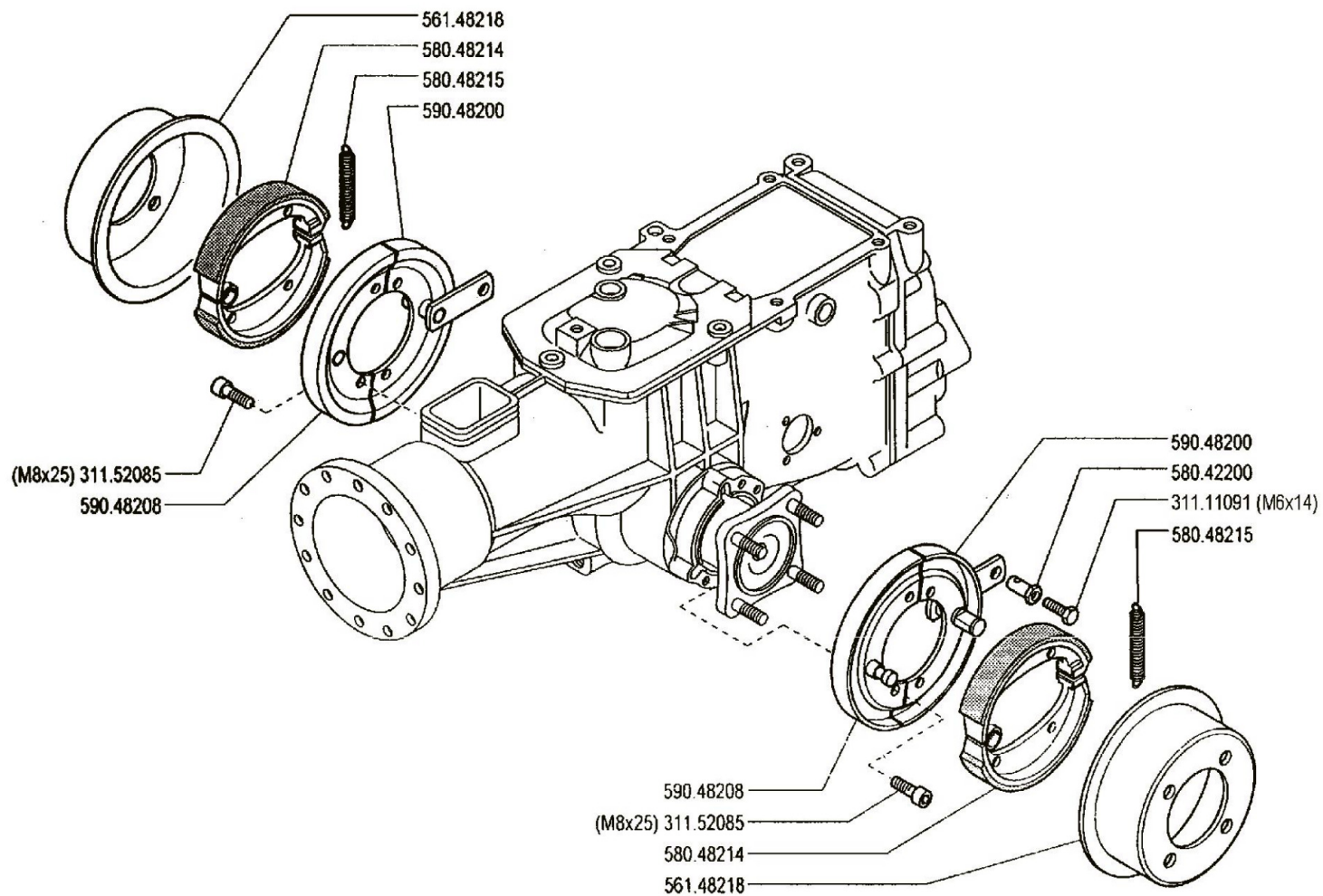
Pos.	Id	Q.ty	Description	Note
26	55142076	1	KNOB	For the model 500GR





Pos.	Id	Q.ty	Description	Note
1	59257217	1	SC.LEVA FRENO MF /2010 CON P.I	
2	31241084	1	SELFLOCK NUT M8 6S	
3	56356858Z	1	PIN	
4	56356833Z	1	SMALL PLATE	
5	53156860	1	COMMAND LEVER	
6	55157212	1	GRIP	
7	56356840Z	1	CLAMPING SCREW	
8	31112090	1	SCREW TE M6X16 UNI 5739 8G	
9	58056843	1	LINE AND SHEATH L=980	For the model 530GR
10	56148287	1	STUD BOLT	
11	55157213	1	GRIP	
12	31100451	1	SCREW 3,5X25	
13	58057220	1	LINE AND SHEATH L=880	For the model 530GR
14	58056595	1	ADJUSTING SCREW M8	
15	31211080	1	NUT M8	
16	55256757	1	PULLEY	
17	34213020	1	ROLL PIN	
18	56156832Z	1	U BOLT	
19	59256850	1	SUPPORT	
20	31121020	1	SCREW TBCEI M8X40 ISO7380 10K Z	
21	56156859Z	1	FORK	
22	58049830	1	SPRING	
23	52156810Z	1	COMMAND LEVER	
24	55157215	1	GRIP	
25	55157214	1	GRIP	
26	58049670	1	LINE AND SHEATH (L=1080)	





FERRARI

500 serie GRIFON

FRENI (530GR)

BRAKES
FRENOS

FREINS
BREMSEN

DALLA MACCHINA
DE LA MAQUINA
FROM THE MACHINE
AB DER MASCHINE

N.

K01 0

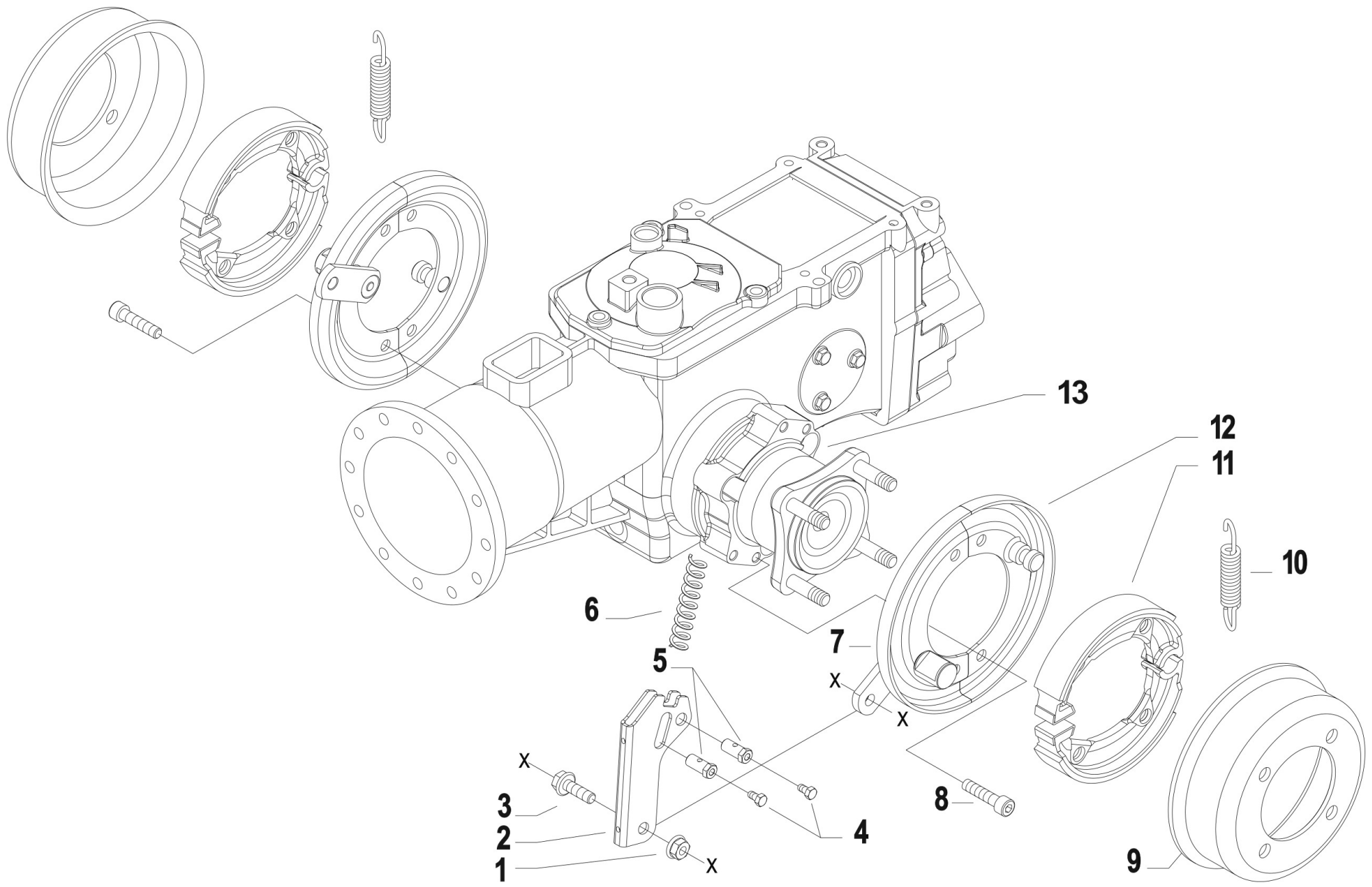
09/2004

Rev.

ZENNE

Pos.	Id	Q.ty	Description	Note
31111091	31111091	1	SCREW E M6X14 UNI 5739 8G	
31152085	31152085	1	SCREW TCEI M8X25 UNI 5931	
56148218	56148218	1	BRAKE DRUM	
58042200	58042200	1	CLAMPING SCREW	
58048214	58048214	1	BRAKE BLOCK	
58048215	58048215	1	SPRING	
59048200	59048200	1	HALF DISC	
59048208	59048208	1	HALF DISC	



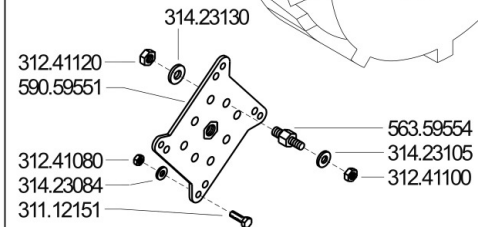
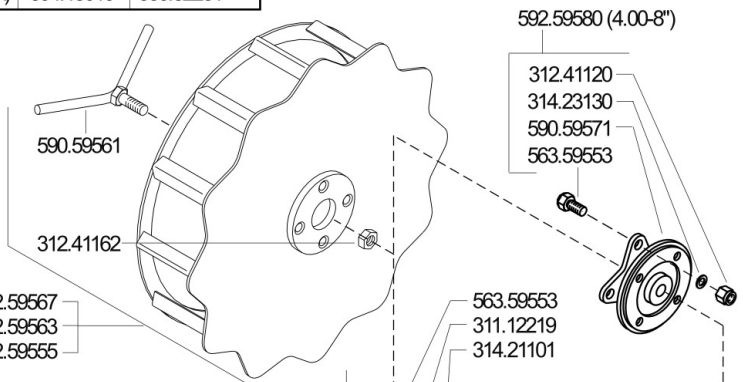
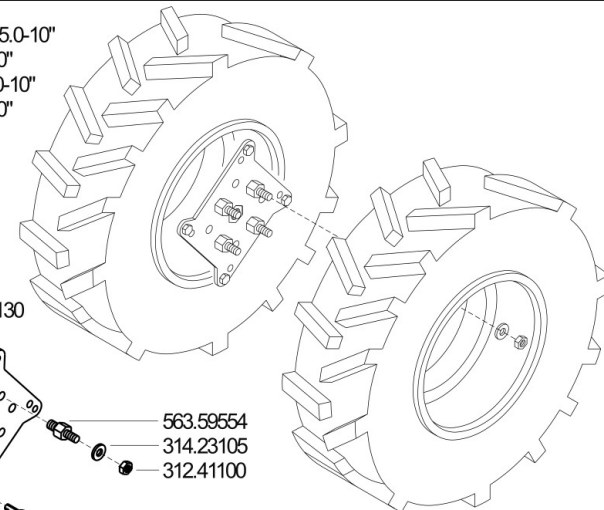


Pos.	Id	Q.ty	Description	Note
1	56148218N	1	BRAKE DRUM	
2	58048215	1	SPRING	
3	58048214	1	BRAKE BLOCK	
4	59048208N	1	HALF DISC	
5	31112090	1	SCREW TE M6X16 UNI 5739 8G	
6	31152085	1	SCREW TCEI M8X25 UNI 5931	
7	59048200N	1	HALF DISC	
8	31241084	1	SELFLOCK NUT M8 6S	
9	56156831Z	1	FORK	
10	31112166	1	SCREW TE C/F M8X25 DIN 6921 8G	
11	58048214	1	BRAKE BLOCK	
12	58056918	1	SPRING	
13	53156826N		FLANGE	



	A	B	C
3.50 - 8" (500)	391.13502	394.13502	580.52325
3.50 - 8"	391.13502	394.13502	580.52326
4.00 - 8"	391.14008	394.14008	580.52326
4.0 - 10"	391.14010	394.14010	580.52327
5.0 - 10"	391.15010	394.15010	580.52327
6.5 / 80 - 12"	391.16018	394.16018	F0849044070
21 x 11.00 - 8"	391.13501	TUBELESS	580.52274
20 x 8.00 - 10"	391.18021 (TR)	394.16025	580.52281
20 x 8.00 - 10"	391.18020 (GA)	394.15010	580.52281

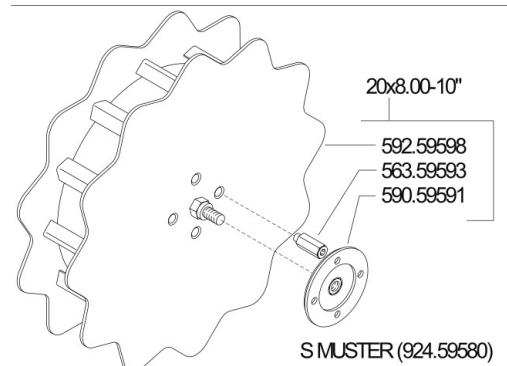
924.57794
 KIT GEMELLAGGIO PER 4.0-10" / 5.0-10"
 TWINNING KIT FOR 4.0-10" / 5.0-10"
 JUMELAGE KIT POUR 4.0-10" / 5.0-10"
 KIT GEMELOS POR 4.0-10" / 5.0-10"
 ZWILLINGSKIT 4.0-10" / 5.0-10"



(4.00-8") 592.59567
 (4.0-10") 592.59563
 (5.0-10") 592.59555

592.59580 (4.00-8")
 312.41120
 314.23130
 590.59571
 563.59553

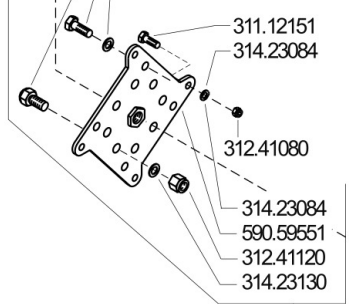
563.59553
 311.12219
 314.21101



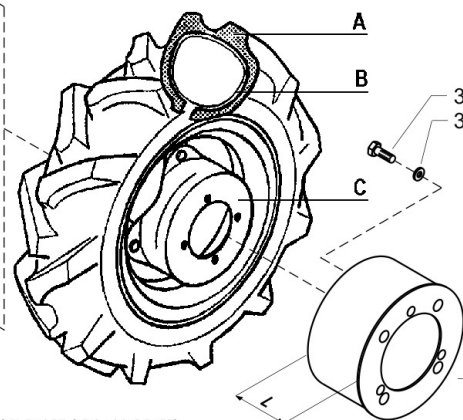
20x8.00-10"

592.59598
 563.59593
 590.59591

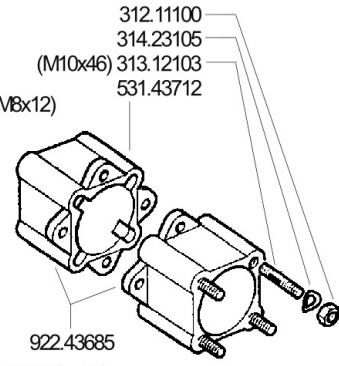
S MUSTER (924.59580)



311.12151
 314.23084
 312.41080
 314.23084
 590.59551
 312.41120
 314.23130



592.59578 (4.0-10" / 5.0-10" / 21x11.00-8")



312.11100
 314.23105
 (M10x46) 313.12103
 531.43712

311.12149 (M8x12)
 314.23084

922.43685
 590.47745 (L=66)
 590.47743 (L=126)

FERRARI

500 serie GRIFON

WHEELS
 RUEDAS

RUOTE

ROUES
 RÄDER

DALLA MACCHINA
 DE LA MAQUINA
 DE LA MACHINE
 FROM THE MACHINE
 AB DER MASCHINE

N.

Rev. **L01 0**

09/2004

ZENE

Pos.	Id	Q.ty	Description	Note
31112149	31112149	1	SCREW TE M8X12 UNI 5739 8G	
31112151	31112151	1	SCREW TE M8X25 UNI 5739 8G	
31112219	31112219	1	SCREW TE M10X25 UNI 5739	
31211100	31211100	1	NUT M10	
31241080	31241080	1	HEXAGON SELFLOCK NUT M8	
31241100	31241100	1	SELFLOCK HEXAGON NUT M10	
31241120	31241120	1	SELFLOCK NUT M12	
31241162	31241162	1	SELFLOCK NUT M16 DIN 985	
31312103	31312103	1	STUD BOLT M10X46X24X16	
31421101	31421101	1	WASHER 10 DIN 679	
31423084	31423084	1	SPRING WASHER 8,4	
31423105	31423105	1	SPRING WASHER 10,5	
31423130	31423130	1	SPRING WASHER EL 13 DIN 137-B	
39113501	39113501	1	TYRE 21X11.00-8	
39113502	39113502	1	TYRE 3.50-8 2PR	
39114008	39114008	1	TYRE 4.00-8 2PR	
39114010	39114010	1	TYRE 4.0-10 2PR	
39115010	39115010	1	TYRE 5.00-10 2PR	
39116018	39116018	1	TYRE 6.5/80-12 2PR	
39118020	39118020	1	TYRE 20X8.00-10 4PR	
39118021	39118021	1	COVER 20x8.00-10 FLAT-TR	
39413502	39413502	1	INNER TUBE X 3.50-8	
39414008	39414008	1	INNER TUBE X 4.00-8	
39414010	39414010	1	INNER TUBE x 4.0-10	
39415010	39415010	1	INNER TUBE X 4.0/5.0-10	
39416018	39416018	1	INNER TUBE X 6-5/80-12	
39416025	39416025	1	INNER TUBE X 20X8.00-10 TR	
53143712	53143712	1	SPACER	
56359553	56359553	1	PIN	

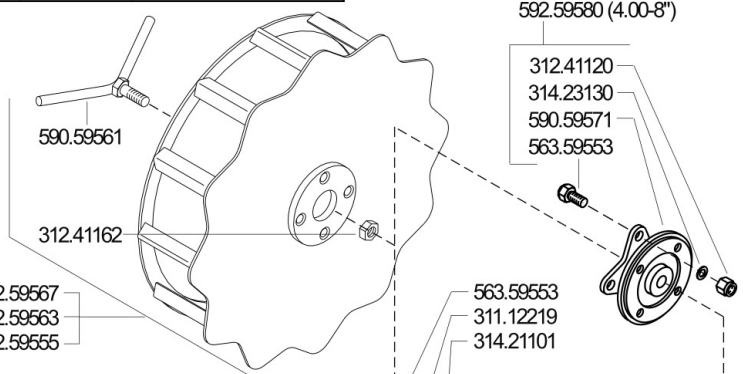
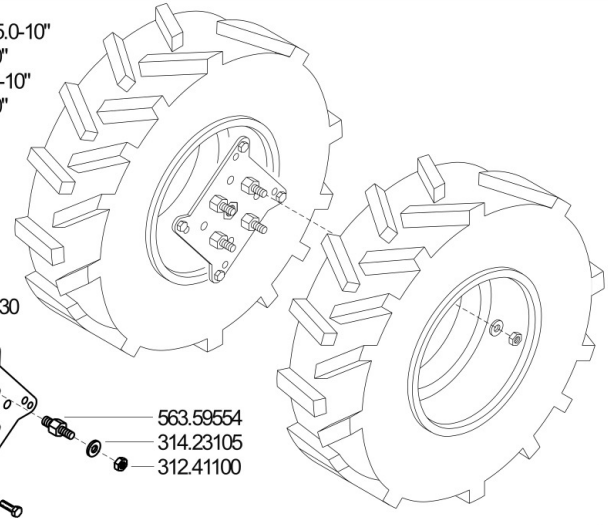


Pos.	Id	Q.ty	Description	Note
56359554	56359554	1	PIN	
56359593	56359593	1	DRIVING PIN	
58052274	58052274	1	RIM 8.50-8 NHRWS	
58052281	58052281	1	RIM 6.00I-10	
58052325	58052325	1	RIM 2.50-8 MF	
58052326	58052326	1	RIM	
58052327	58052327	1	RIM	
59047743	59047743	1	HUBCOVER	
59047745	59047745	1	HUBCOVER	
59059551	59059551	1	FLANGE	
59059561	59059561	1	SCREW	
59059571	59059571	1	FLANGE	
59059591	59059591	1	SPACER	
59259555	59259555	1	SUPER-BITE WHEEL X 5.00-10	
59259563	59259563	1	WHEEL	
59259567	59259567	1	WHEEL	
59259578	59259578	1	FLANGE KIT	
59259580	59259580	1	FLANGE KIT	
59259598	59259598	1	WHEEL	
92243685	92243685	1	WHEEL SPACERS CM 6 (PAIR)	
92457794	92457794	1	ADAPTER PLATES FOR WHEELS (PAIR)	
92459580	92459580	1	RUOTE SUPER BITE 20X8.00-10 (COPPIA)	
F0849044070	F0849044070	1	WHEEL DISC	

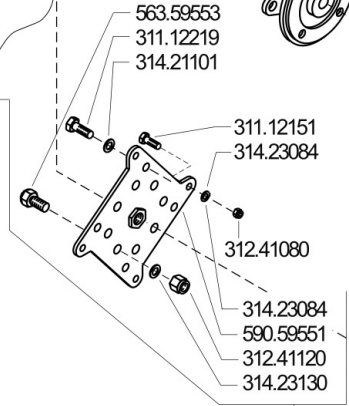
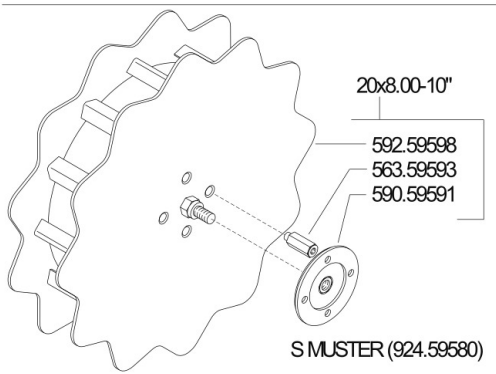


	A	B	C
3.50 - 8" (500)	39113502	39413502	58052325
3.50 - 8"	39113502	39413502	58052326
4.00 - 8"	39114008	39414008	58052326
4.0 - 10"	39114010	39414010	58052327
5.0 - 10"	39115010	39415010	58052327
6.5 / 80 - 12"	39116018	39416018	F0849044070
21 x 11.00 - 8"	39113501	TUBELESS	58052274
20 x 8.00 - 10"	39118021 (TR)	39416025	58052281
20 x 8.00 - 10"	39118020 (GA)	39415010	58052280 (S MUSTER)

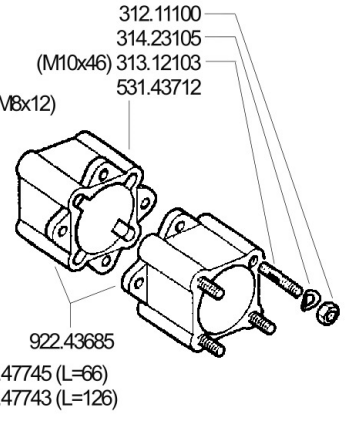
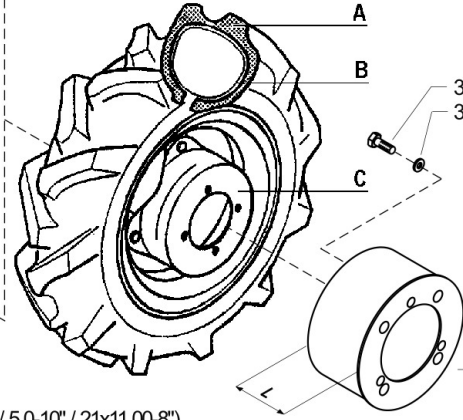
924.57794
 KIT GEMELLAGGIO PER 4.0-10" / 5.0-10"
 TWINNING KIT FOR 4.0-10" / 5.0-10"
 JUMELAGE KIT POUR 4.0-10" / 5.0-10"
 KIT GEMELOS POR 4.0-10" / 5.0-10"
 ZWILLINGSKIT 4.0-10" / 5.0-10"



(4.00-8") 592.59567
 (4.0-10") 592.59563
 (5.0-10") 592.59555



592.59578 (4.0-10" / 5.0-10" / 21x11.00-8")



500 serie GRIFON

WHEELS
 RUEDAS

RUOTE

ROUES
 RÄDER

DALLA MACCHINA
 DE LA MAQUINA
 DE LA MACHINE
 FROM THE MACHINE
 AB DER MASCHINE

ERRATA CORRIGE

N.

L01 1

10/2004

Rev.

ZENE



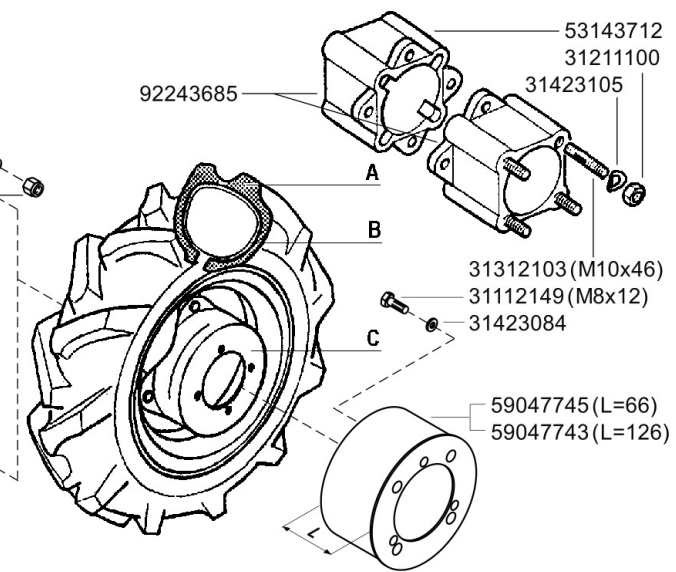
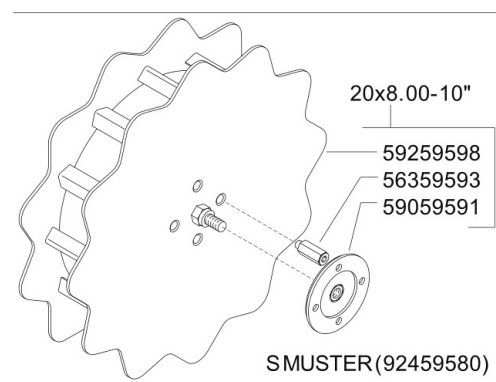
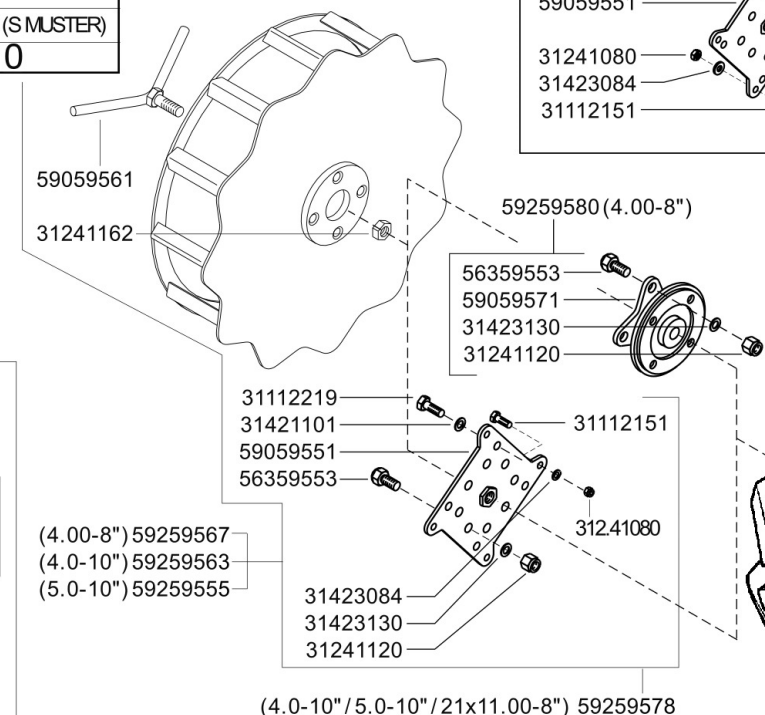
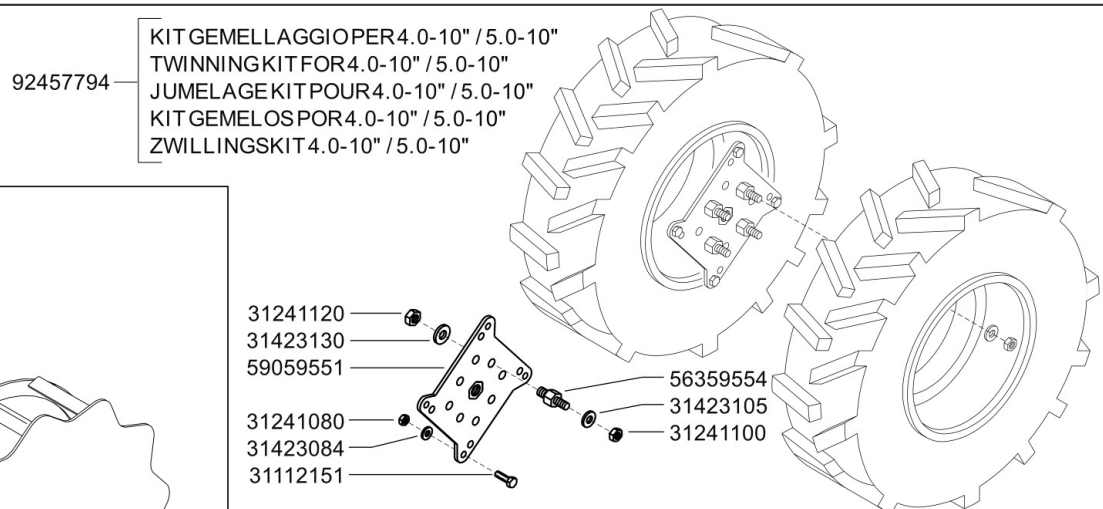
Pos.	Id	Q.ty	Description	Note
31112149	31112149		SCREW TE M8X12 UNI 5739 8G	
31112151	31112151		SCREW TE M8X25 UNI 5739 8G	
31112219	31112219		SCREW TE M10X25 UNI 5739	
31211100	31211100		NUT M10	
31241080	31241080		HEXAGON SELFLOCK NUT M8	
31241100	31241100		SELFLOCK HEXAGON NUT M10	
31241120	31241120		SELFLOCK NUT M12	
31241162	31241162		SELFLOCK NUT M16 DIN 985	
31312103	31312103		STUD BOLT M10X46X24X16	
31421101	31421101		WASHER 10 DIN 679	
31423084	31423084		SPRING WASHER 8,4	
31423105	31423105		SPRING WASHER 10,5	
31423130	31423130		SPRING WASHER EL 13 DIN 137-B	
39113501	39113501		TYRE 21X11.00-8	
39113502	39113502		TYRE 3.50-8 2PR	
39114008	39114008		TYRE 4.00-8 2PR	
39114010	39114010		TYRE 4.0-10 2PR	
39115010	39115010		TYRE 5.00-10 2PR	
39116018	39116018		TYRE 6.5/80-12 2PR	
39118020	39118020		TYRE 20X8.00-10 4PR	
39118021	39118021		COVER 20x8.00-10 FLAT-TR	
39413502	39413502		INNER TUBE X 3.50-8	
39414008	39414008		INNER TUBE X 4.00-8	
39414010	39414010		INNER TUBE x 4.0-10	
39415010	39415010		INNER TUBE X 4.0/5.0-10	
39416018	39416018		INNER TUBE X 6-5/80-12	
39416025	39416025		INNER TUBE X 20X8.00-10 TR	
53143712	53143712		SPACER	
56359553	56359553		PIN	



Pos.	Id	Q.ty	Description	Note
56359554	56359554		PIN	
56359593	56359593		DRIVING PIN	
58052274	58052274		RIM 8.50-8 NHRWS	
58052280	58052280	1	RIM 6.00I-10	
58052281	58052281		RIM 6.00I-10	
58052325	58052325		RIM 2.50-8 MF	
58052326	58052326		RIM	
58052327	58052327		RIM	
59047743	59047743		HUBCOVER	
59047745	59047745		HUBCOVER	
59059551	59059551		FLANGE	
59059561	59059561		SCREW	
59059571	59059571		FLANGE	
59059591	59059591		SPACER	
59259555	59259555		SUPER-BITE WHEEL X 5.00-10	
59259563	59259563		WHEEL	
59259567	59259567		WHEEL	
59259578	59259578		FLANGE KIT	
59259580	59259580		FLANGE KIT	
59259598	59259598		WHEEL	
92243685	92243685		WHEEL SPACERS CM 6 (PAIR)	
92457794	92457794		ADAPTER PLATES FOR WHEELS (PAIR)	
92459580	92459580		RUOTE SUPER BITE 20X8.00-10 (COPPIA)	
F0849044070	F0849044070		WHEEL DISC	



	A	B	C
3.50 - 8" (500)	39113502	39413502	58052325
3.50 - 8"	39113502	39413502	58052326
4.00 - 8"	39114008	39414008	58052326
4.0 - 10"	39114010	39414010	58052327
4.0 - 10"	39114010	39414010	58052289 (FIX) 0
5.0 - 10"	39115010	39415010	58052327
5.0 - 10"	39115010	39415010	58052289 (FIX) 0
6.5 / 80 - 12"	39116018	39416018	F0849044070
21 x 11.00 - 8"	39113501	TUBELESS	58052274
20 x 8.00 - 10"	39118021 (TR)	39416025	58052281
20 x 8.00 - 10"	39118020 (GA)	39415010	58052280 (SMUSTER)
16 x 6.50 - 8"	39111608	39411608	58052297 0



	500 serie GRIFON	RUOTE WHEELS RUEDAS ROUES RÄDER	DALLA MACCHINA DE LA MAQUINA DE LA MACHINE FROM THE MACHINE AB DER MASCHINE ON.	AGGIORNAMENTO	L01	Rev. 2
				REVISION		
				MISE A JOUR		
				APLAZAMIENTO		
				ANPASSUNG		

Pos.	Id	Q.ty	Description	Note
31112149	31112149	1	SCREW TE M8X12 UNI 5739 8G	
31112151	31112151	1	SCREW TE M8X25 UNI 5739 8G	
31112219	31112219	1	SCREW TE M10X25 UNI 5739	
31211100	31211100	1	NUT M10	
31241080	31241080	1	HEXAGON SELFLOCK NUT M8	
31241100	31241100	1	SELFLOCK HEXAGON NUT M10	
31241120	31241120	1	SELFLOCK NUT M12	
31241162	31241162	1	SELFLOCK NUT M16 DIN 985	
31312103	31312103	1	STUD BOLT M10X46X24X16	
31421101	31421101	1	WASHER 10 DIN 679	
31423084	31423084	1	SPRING WASHER 8,4	
31423105	31423105	1	SPRING WASHER 10,5	
31423130	31423130	1	SPRING WASHER EL 13 DIN 137-B	
39111608	39111608	1	TYRE 16X6.50-8 4PR	
39113501	39113501	1	TYRE 21X11.00-8	
39113502	39113502	1	TYRE 3.50-8 2PR	
39114008	39114008	1	TYRE 4.00-8 2PR	
39114010	39114010	1	TYRE 4.0-10 2PR	
39115010	39115010	1	TYRE 5.00-10 2PR	
39116018	39116018	1	TYRE 6.5/80-12 2PR	
39118020	39118020	1	TYRE 20X8.00-10 4PR	
39118021	39118021	1	COVER 20x8.00-10 FLAT-TR	
39411608	39411608	1	INNER TUBE PER 16-6.50-8	
39413502	39413502	1	INNER TUBE X 3.50-8	
39414008	39414008	1	INNER TUBE X 4.00-8	
39414010	39414010	1	INNER TUBE x 4.0-10	
39415010	39415010	1	INNER TUBE X 4.0/5.0-10	
39416018	39416018	1	INNER TUBE X 6-5/80-12	
39416025	39416025	1	INNER TUBE X 20X8.00-10 TR	



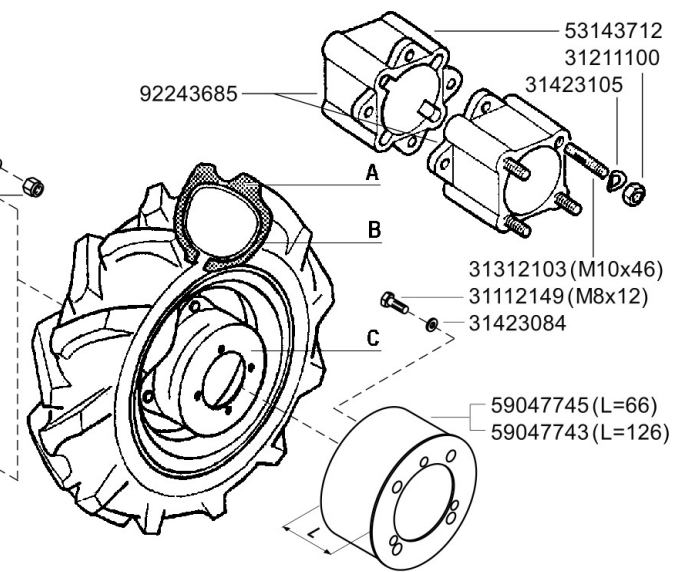
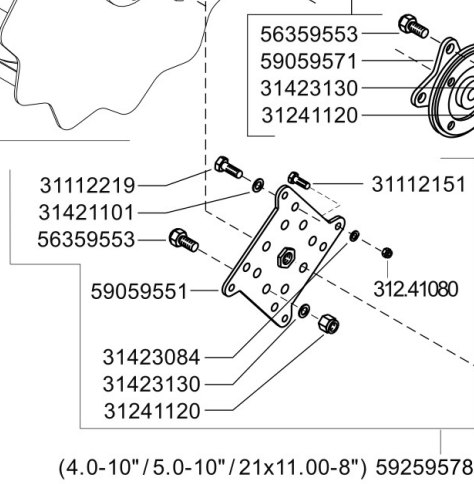
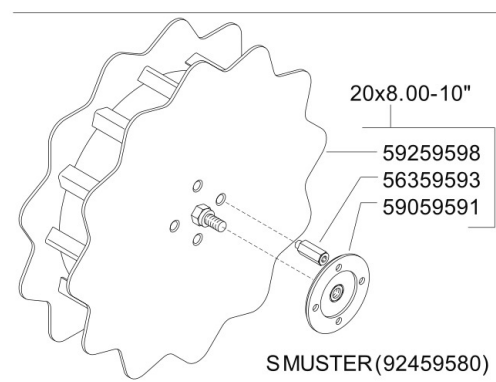
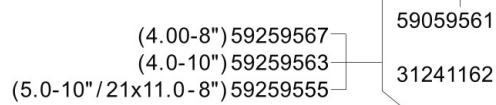
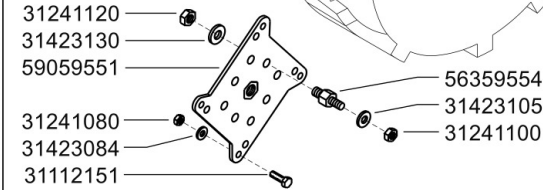
Pos.	Id	Q.ty	Description	Note
53143712	53143712	1	SPACER	
56359553	56359553	1	PIN	
56359554	56359554	1	PIN	
56359593	56359593	1	DRIVING PIN	
58052274	58052274	1	RIM 8.50-8 NHRWS	
58052280	58052280	1	RIM 6.00I-10	
58052281	58052281	1	RIM 6.00I-10	
58052289	58052289	1	RIM 3.50-10 S2	
58052297	58052297	1	RIM 5.25X8	
58052325	58052325	1	RIM 2.50-8 MF	
58052326	58052326	1	RIM	
58052327	58052327	1	RIM	
59047743	59047743	1	HUBCOVER	
59047745	59047745	1	HUBCOVER	
59059551	59059551	1	FLANGE	
59059561	59059561	1	SCREW	
59059571	59059571	1	FLANGE	
59059591	59059591	1	SPACER	
59259555	59259555	1	SUPER-BITE WHEEL X 5.00-10	
59259563	59259563	1	WHEEL	
59259567	59259567	1	WHEEL	
59259578	59259578	1	FLANGE KIT	
59259580	59259580	1	FLANGE KIT	
59259598	59259598	1	WHEEL	
92243685	92243685	1	WHEEL SPACERS CM 6 (PAIR)	
92457794	92457794	1	ADAPTER PLATES FOR WHEELS (PAIR)	
92459580	92459580	1	RUOTE SUPER BITE 20X8.00-10 (COPPIA)	
F0849044070	F0849044070	1	WHEEL DISC	



	A	B	C
3.50 - 8" (500)	39113502	39413502	58043370 0
3.50 - 8"	39113502	39413502	58043250 0
4.00 - 8"	39114008	39414008	58043250 0
4.0 - 10"	39114010	39415010 0(1)	58048330 0
5.0 - 10"	39115010	39415010	58048330 0
6.5 / 80 - 12"	39116018	39416018	58044804 0
21 x 11.00 - 8"	39113501	TUBELESS	58057795 0
20 x 8.00 - 10"	39118021 (TR)	39416025	58057799 0
20 x 8.00 - 10"	39118020 (GA)	39415010	58057797 0 (SMUSTER)
16 x 6.50 - 8"	39111665 0(2)	39411608	58057839 0

(1) sostituisce **39414010**
(2) **ERRATA CORRIGE**

92457794
KIT GEMELLAGGIOPER 4.0-10" / 5.0-10"
TWINNINGKIT FOR 4.0-10" / 5.0-10"
JUMELAGEKIT POUR 4.0-10" / 5.0-10"
KIT GEMELOS POR 4.0-10" / 5.0-10"
ZWILLINGSKIT 4.0-10" / 5.0-10"



	500 serie GRIFON	RUOTE WHEELS RUEDAS ROUES RÄDER	DALLA MACCHINA DE LA MAQUINA DE LA MACHINE FROM THE MACHINE AB DER MASCHINE ON.	AGGIORNAMENTO	L01	Rev. 3
				REVISION		
				MISE A JOUR	06/2010	ZENE
				APLAZAMIENTO ANPASSUNG		

Pos.	Id	Q.ty	Description	Note
31112151	31112151	1	SCREW TE M8X25 UNI 5739 8G	
31112219	31112219	1	SCREW TE M10X25 UNI 5739	
31211100	31211100	1	NUT M10	
31241080	31241080	1	HEXAGON SELFLOCK NUT M8	
31241100	31241100	1	SELFLOCK HEXAGON NUT M10	
31241120	31241120	1	SELFLOCK NUT M12	
31241162	31241162	1	SELFLOCK NUT M16 DIN 985	
31312103	31312103	1	STUD BOLT M10X46X24X16	
31421101	31421101	1	WASHER 10 DIN 679	
31423084	31423084	1	SPRING WASHER 8,4	
31423105	31423105	1	SPRING WASHER 10,5	
31423130	31423130	1	SPRING WASHER EL 13 DIN 137-B	
39111608	39111608	1	TYRE 16X6.50-8 4PR	
39111665	39111665	1	TYRE 16X6.50-8 4PR	
39113501	39113501	1	TYRE 21X11.00-8	
39113502	39113502	1	TYRE 3.50-8 2PR	
39114008	39114008	1	TYRE 4.00-8 2PR	
39114010	39114010	1	TYRE 4.0-10 2PR	
39115010	39115010	1	TYRE 5.00-10 2PR	
39116018	39116018	1	TYRE 6.5/80-12 2PR	
39118020	39118020	1	TYRE 20X8.00-10 4PR	
39118021	39118021	1	COVER 20x8.00-10 FLAT-TR	
39411608	39411608	1	INNER TUBE PER 16-6.50-8	
39413502	39413502	1	INNER TUBE X 3.50-8	
39414008	39414008	1	INNER TUBE X 4.00-8	
39415010	39415010	1	INNER TUBE X 4.0/5.0-10	
39416018	39416018	1	INNER TUBE X 6-5/80-12	
39416025	39416025	1	INNER TUBE X 20X8.00-10 TR	
53143712	53143712	1	SPACER	



Pos.	Id	Q.ty	Description	Note
56359553	56359553	1	PIN	
56359554	56359554	1	PIN	
56359593	56359593	1	DRIVING PIN	
58043250	58043250	1	RIM 2.50-8	
58043370	58043370	1	RIM 2.50-8	
58044804	58044804	1	RIM 5JA12	
58048330	58048330	1	RIM 3.50D10 CR	
58057795	58057795	1	RIM 8.50-8	
58057797	58057797	1	RIM 6.00I-10 MUSTER	
58057799	58057799	1	RIM 6.00I-10	
58057839	58057839	1	RIM 5.25X8	
59047743	59047743	1	HUBCOVER	
59047745	59047745	1	HUBCOVER	
59059551	59059551	1	FLANGE	
59059561	59059561	1	SCREW	
59059571	59059571	1	FLANGE	
59059591	59059591	1	SPACER	
59259555	59259555	1	SUPER-BITE WHEEL X 5.00-10	
59259563	59259563	1	WHEEL	
59259567	59259567	1	WHEEL	
59259578	59259578	1	FLANGE KIT	
59259580	59259580	1	FLANGE KIT	
59259598	59259598	1	WHEEL	
92243685	92243685	1	WHEEL SPACERS CM 6 (PAIR)	
92457794	92457794	1	ADAPTER PLATES FOR WHEELS (PAIR)	
92459580	92459580	1	RUOTE SUPER BITE 20X8.00-10 (COPPIA)	



515 GRIFON

580.52157

515L GRIFON

580.52158

515S GRIFON

580.52159

520 GRIFON

580.52162

S
MULSTER

580.52160

FERRARI

580.52029

530 GRIFON

580.52163

530S GRIFON

580.52164

FERRARI

500 serie **GRIFON**

STICKERS
ADHESIVOS

ADESIVI

AUTOCOLLANTS
AUFKLEBES

DALLA MACCHINA
DE LA MAQUINA
DE LA MACHINE
FROM THE MACHINE
AB DER MASCHINE

N.

M01 **0**

09/2004

Rev.

ZENIT

Pos.	Id	Q.ty	Description	Note
58052029	58052029	1	DECAL	
58052157	58052157	1	DECAL 515 GRIFON	
58052158	58052158	1	DECAL 515 L GRIFON	
58052159	58052159	1	DECAL 515 S GRIFON	
58052160	58052160	1	DECAL S MUSTER	
58052162	58052162	1	DECAL 520 GRIFON	
58052163	58052163	1	DECAL	
58052164	58052164	1	DECAL 530S GRIFON	



500 GRIFON

58052165 0

FERRARI

58052029

S
MULSTER

58052160

515 GRIFON

58052157

520 GRIFON

58052162

515L GRIFON

58052158

530 GRIFON

58052163

515S GRIFON

58052159

530S GRIFON

58052164

FERRARI

500 serie GRIFON

STICKERS
ADHESIVOS

ADESIVI

AUTOCOLLANTS
AUFKLEBES

DALLA MACCHINA
DE LA MAQUINA
DE LA MACHINE
FROM THE MACHINE
AB DER MASCHINE

ON.

AGGIORNAMENTO

REVISION

MISE A JOUR

APLAZAMIENTO

ANPASSUNG

M01

Rev.
1

06/2006

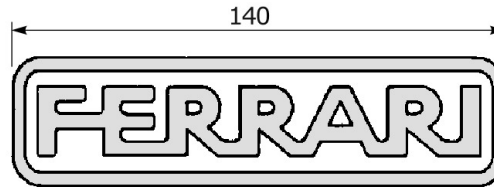
ZENE

Pos.	Id	Q.ty	Description	Note
58052029	58052029	1	DECAL	
58052157	58052157	1	DECAL 515 GRIFON	
58052158	58052158	1	DECAL 515 L GRIFON	
58052159	58052159	1	DECAL 515 S GRIFON	
58052160	58052160	1	DECAL S MUSTER	
58052162	58052162	1	DECAL 520 GRIFON	
58052163	58052163	1	DECAL	
58052164	58052164	1	DECAL 530S GRIFON	
58052165	58052165	1	DECAL 500 GRIFON	



500 GRIFON

58052165



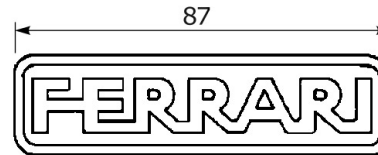
58052029



58052160

515 GRIFON

58052157



58052019 0

515L GRIFON

58052158

520 GRIFON

58052162

515S GRIFON

58052159

530 GRIFON

58052163

515SL GRIFON

58052167 0

530S GRIFON

58052164

FERRARI

500 serie GRIFON

STICKERS
ADHESIVOS

ADESMI

AUTOCOLLANTS
AUFKLEBES

DALLA MACCHINA
DE LA MAQUINA
DE LA MACHINE
FROM THE MACHINE
AB DER MASCHINE

ON.

AGGIORNAMENTO

REVISION

MISE A JOUR

APLAZAMIENTO

ANPASSUNG

M01

Rev.
2

02/2009

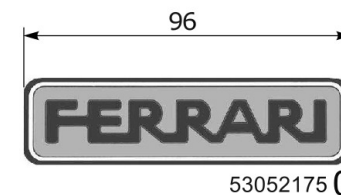
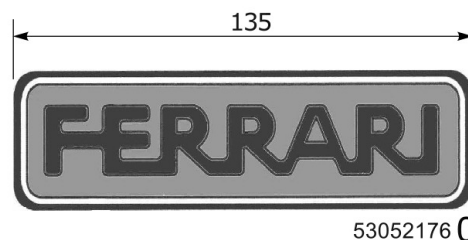
VERBODEN



Pos.	Id	Q.ty	Description	Note
58052019	58052019	1	DECAL	
58052029	58052029	1	DECAL	
58052157	58052157	1	DECAL 515 GRIFON	
58052158	58052158	1	DECAL 515 L GRIFON	
58052159	58052159	1	DECAL 515 S GRIFON	
58052160	58052160	1	DECAL S MUSTER	
58052162	58052162	1	DECAL 520 GRIFON	
58052163	58052163	1	DECAL	
58052164	58052164	1	DECAL 530S GRIFON	
58052165	58052165	1	DECAL 500 GRIFON	
58052167	58052167	1	DECAL 515SL GRIFON	



500 GRIFON 58052165



515 GRIFON 58052183 0

530 S
58052190 0

515L GRIFON 58052184 0


520 GRIFON 58052187 0

515S GRIFON 58052185 0

530 GRIFON 58052188 0

515SL GRIFON 58052186 0

530S GRIFON 58052189 0

	500 serie GRIFON	STICKERS ADHESIVOS	ADESMI	AUTOCOLLANTS AUFKLEBES	DALLA MACCHINA DE LA MAQUINA DE LA MACHINE FROM THE MACHINE AB DER MASCHINE	AGGIORNAMENTO	M01	Rev. 3
					ON.	REVISION		
						MISE A JOUR		
						APLAZAMIENTO		
						ANPASSUNG		
			11/2010					

Pos.	Id	Q.ty	Description	Note
53052175	53052175	1	MEDIUM FERRARI BRAND	
53052176	53052176	1	BIG FERRARI BRAND	
58052165	58052165	1	DECAL 500 GRIFON	
58052183	58052183	1	DECAL 515 GRIFON /11	
58052184	58052184	1	DECAL 515L GRIFON /11	
58052185	58052185	1	DECAL 515S GRIFON /11	
58052186	58052186	1	DECAL 515SL GRIFON /11	
58052187	58052187	1	DECAL 520 GRIFON /11	
58052188	58052188	1	DECAL 530 GRIFON /11	
58052189	58052189	1	DECAL 530S GRIFON /11	
58052190	58052190	1	DECAL 530S /11	



<p>580.57698</p>	<p>580.57625</p>	<p>580.57773</p>	<p>580.57774</p>	<p>580.57772</p>	<p>580.57706</p>	<p>580.57767</p>
<p>580.57676</p>	<p>580.57746</p>	<p>580.57747</p>	<p>580.57748</p>	<p>580.46912</p>	<p>580.57768</p>	<p>580.57771</p>
<p>580.57676</p>	<p>580.57712</p>	<p>580.57732</p>	<p>580.93089</p>	<p>580.57770</p>	<p>580.57722</p>	<p>580.57724</p>

FERRARI

500 serie GRIFON

ADESIVI

STICKERS
ADHESIVOS

AUTOCOLLANTS
AUFKLEBES

DALLA MACCHINA
DE LA MAQUINA
DE LA MACHINE
FROM THE MACHINE
AB DER MASCHINE

N.

Rev. **M02** 0

09/2004

ZENE

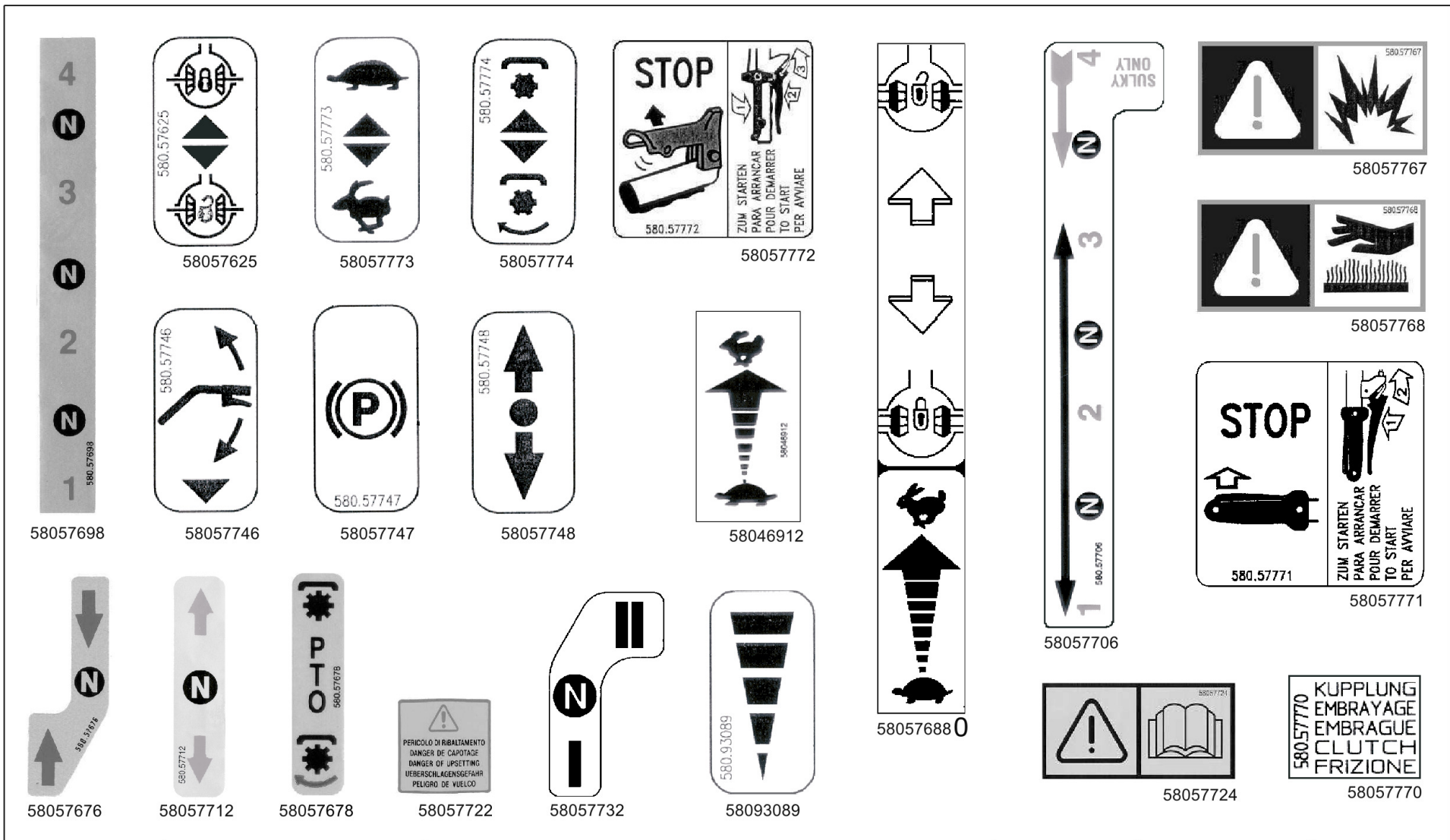
Pos.	Id	Q.ty	Description	Note
58046912	58046912	1	DECAL	
58057625	58057625	1	DECAL	
58057676	58057676	1	DECAL	
58057698	58057698	1	DECAL	
58057706	58057706	1	DECAL	
58057712	58057712	1	DECAL	
58057722	58057722	1	DECAL	
58057724	58057724	1	DECAL	
58057732	58057732	1	DECAL	
58057746	58057746	1	DECAL	
58057747	58057747	1	DECAL	
58057748	58057748	1	DECAL	
58057767	58057767	1	DECAL	
58057768	58057768	1	DECAL	
58057770	58057770	1	DECAL	
58057771	58057771	1	DECAL	
58057772	58057772	1	DECAL	
58057773	58057773	1	DECAL	
58057774	58057774	1	DECAL	
58093089	58093089	1	DECAL	



<p>580.57698</p>	<p>580.57625</p>	<p>580.57773</p>	<p>580.57774</p>	<p>580.57772</p>	<p>580.57706</p>	<p>580.57767</p>
<p>580.57676</p>	<p>580.57712</p>	<p>580.57678</p>	<p>580.57732</p>	<p>580.93089</p>	<p>580.57770</p>	<p>580.57722</p>
<p>FERRARI 500 serie GRIFON</p>	<p>STICKERS ADHESIVOS</p>	<p>ADESIVI</p>	<p>AUTOCOLLANTS AUFKLEBES</p>	<p>DALLA MACCHINA DE LA MAQUINA DE LA MACHINE FROM THE MACHINE AB DER MASCHINE ON.</p>	<p>AGGIORNAMENTO REVISION MISE A JOUR APLAZAMIENTO ANPASSUNG</p>	<p>Rev. M02 1 06/2006</p>

Pos.	Id	Q.ty	Description	Note
58046912	58046912	1	DECAL	
58057625	58057625	1	DECAL	
58057676	58057676	1	DECAL	
58057678	58057678	1	DECAL	
58057698	58057698	1	DECAL	
58057706	58057706	1	DECAL	
58057712	58057712	1	DECAL	
58057722	58057722	1	DECAL	
58057724	58057724	1	DECAL	
58057732	58057732	1	DECAL	
58057746	58057746	1	DECAL	
58057747	58057747	1	DECAL	
58057748	58057748	1	DECAL	
58057767	58057767	1	DECAL	
58057768	58057768	1	DECAL	
58057770	58057770	1	DECAL	
58057771	58057771	1	DECAL	
58057772	58057772	1	DECAL	
58057773	58057773	1	DECAL	
58057774	58057774	1	DECAL	
58093089	58093089	1	DECAL	






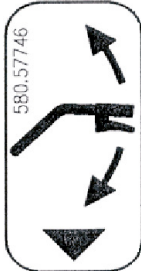

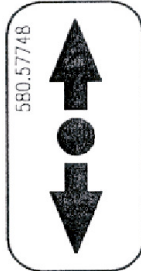
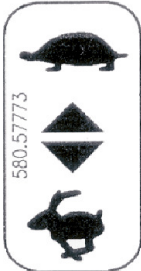
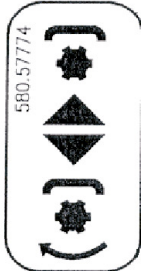
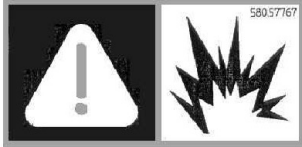

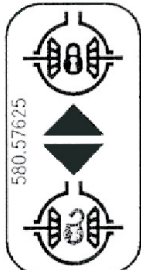
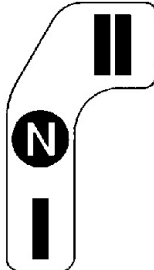

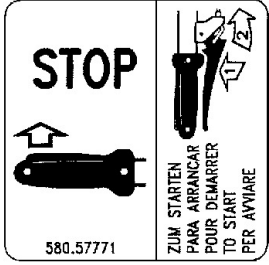




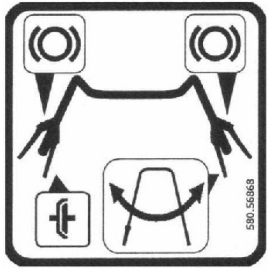

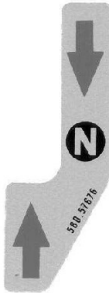








	500 serie GRIFON	ADESIVI STICKERS ADHESIVOS AUTOCOLLANTS AUFKLEBES	DALLA MACCHINA DE LA MAQUINA DE LA MACHINE FROM THE MACHINE AB DER MASCHINE ON.	AGGIORNAMENTO REVISION MISE A JOUR APLAZAMIENTO ANPASSUNG	Rev. 2 M02 02/2009
				0N.	02/2009

Pos.	Id	Q.ty	Description	Note
58046912	58046912	1	DECAL	
58057625	58057625	1	DECAL	
58057676	58057676	1	DECAL	
58057678	58057678	1	DECAL	
58057688	58057688	1	DECAL	
58057698	58057698	1	DECAL	
58057706	58057706	1	DECAL	
58057712	58057712	1	DECAL	
58057722	58057722	1	DECAL	
58057724	58057724	1	DECAL	
58057732	58057732	1	DECAL	
58057746	58057746	1	DECAL	
58057747	58057747	1	DECAL	
58057748	58057748	1	DECAL	
58057767	58057767	1	DECAL	
58057768	58057768	1	DECAL	
58057770	58057770	1	DECAL	
58057771	58057771	1	DECAL	
58057772	58057772	1	DECAL	
58057773	58057773	1	DECAL	
58057774	58057774	1	DECAL	
58093089	58093089	1	DECAL	



4  3 2  1   580.57458	 <p>58056864</p>	 <p>58057746</p>	 <p>58057747</p>	 <p>58057748</p>	 <p>58057773</p>	 <p>58057774</p>	 <p>58057767</p>		
	 <p>58056867</p>	 <p>58057625</p>	 <p>58057732</p>	<p>ZUM STARTEN</p> <ul style="list-style-type: none"> • KUPPLUNGSEBEL ANHAKEN, (SIEHE) AUFKLEBER AUF DEM LENKHOLM). • GASHEBEL ZUR MITTE EINSTELLEN. • BENZINHAHN OFFNEN (WENN VORHANDEN). • CHOKE SCHLIESSEN (BEI KALTEM MOTOR). <p>DEN FUSS IN DIE RICHTIGE STELLUNG SETZEN.</p>  <p>580.46932</p> <p>ZUM STARTEN</p> <ul style="list-style-type: none"> • DEN SEIL AUF DIE STARTSCHEIBE AUFWICKELN (WENN KEIN REVERSIERSTARTER VORHANDEN IST). • DER STARTERGRIF IN ENTSCHLOSSENER WEISE ZIEHEN, BEI DEM ELEKTROSTARTER SCHLÜSSEL DREHEN. • CHOKE DEFNEN. <p>58046932 (REF.)</p>	 <p>58057771</p>	 <p>58057772</p>	 <p>58057774</p>	 <p>58057770</p>	 <p>58057722</p>
	 <p>58057458</p>	 <p>58093089</p>	 <p>58057676</p>	 <p>58057772</p>	 <p>58057678</p>	 <p>58057722</p>			

	500 serie GRIFON	ADESIVI STICKERS ADHESIVOS AUTOCOLLANTS AUFKLEBES	DALLA MACCHINA DE LA MAQUINA DE LA MACHINE FROM THE MACHINE AB DER MASCHINE	867450 (520-530-S) 863996 (515L-S-SL) 864056 (515)	M02	Rev. 3
			ON.		11/2010	

Pos.	Id	Q.ty	Description	Note
58046932	58046932	1	DECAL	
58056864	58056864	1	DECAL	
58056867	58056867	1	DECAL	
58056868	58056868	1	DECAL	
58057458	58057458	1	DECAL	
58057625	58057625	1	DECAL	
58057676	58057676	1	DECAL	
58057678	58057678	1	DECAL	
58057722	58057722	1	DECAL	
58057724	58057724	1	DECAL	
58057732	58057732	1	DECAL	
58057746	58057746	1	DECAL	
58057747	58057747	1	DECAL	
58057748	58057748	1	DECAL	
58057767	58057767	1	DECAL	
58057768	58057768	1	DECAL	
58057770	58057770	1	DECAL	
58057771	58057771	1	DECAL	
58057772	58057772	1	DECAL	
58057773	58057773	1	DECAL	
58057774	58057774	1	DECAL	
58093089	58093089	1	DECAL	

